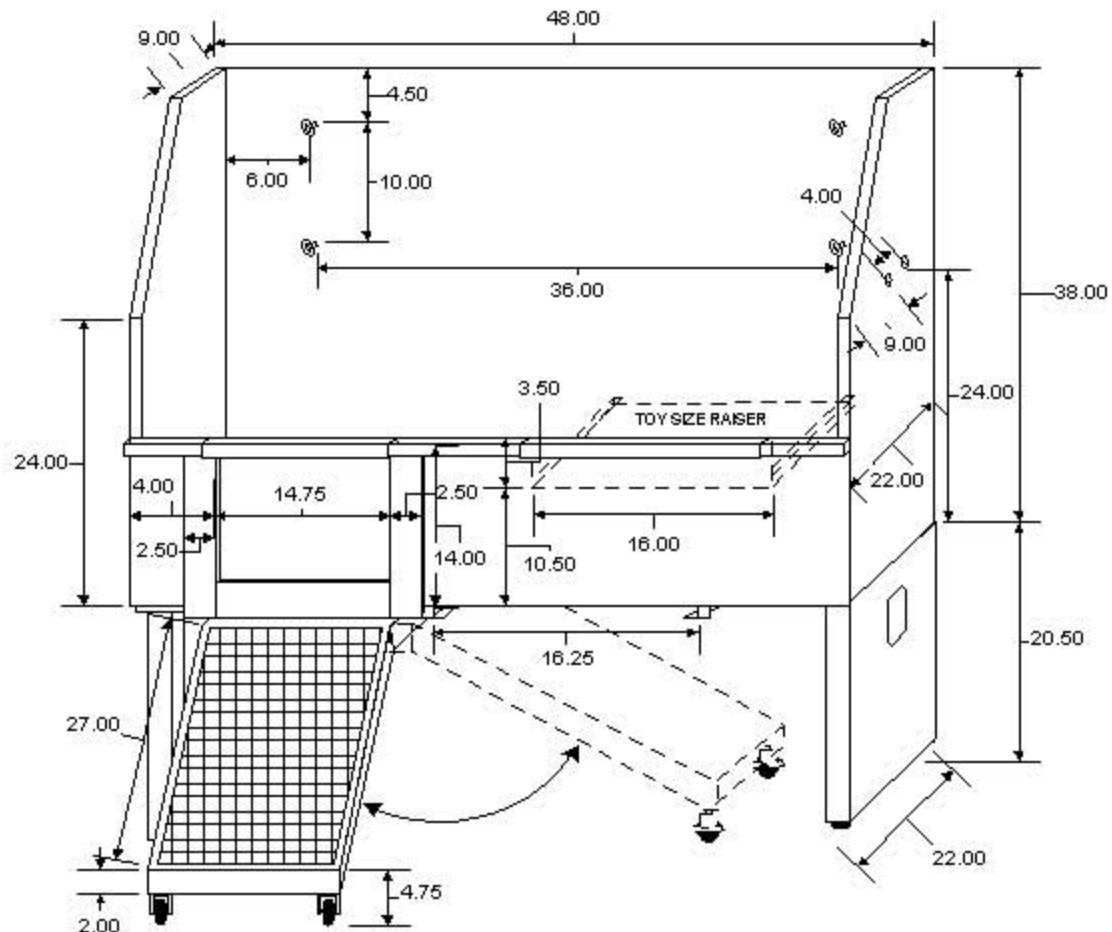


Plumbing: Right or Left (Drain hole can not be under swing ramp) Drain hole 3-1/2" Faucet holes 7/8" at 4" centers

Custom: Faucet holes can be perforated anywhere on the side and back panels



TOP VIEW

