

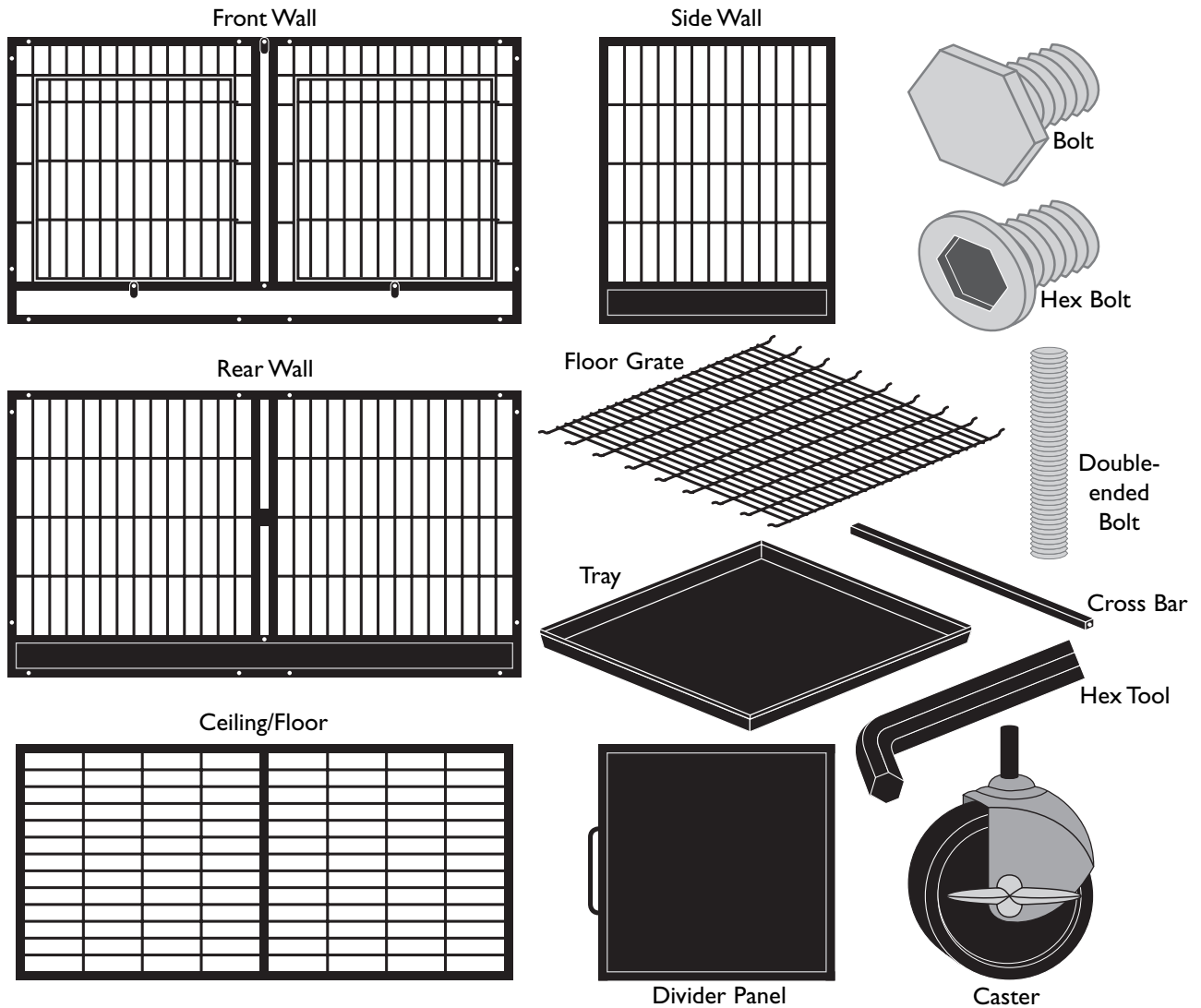
**ProSelect**<sup>TM</sup>

Professional Equipment

TOPS PET PRODUCTS, TOPSFIELD, MA 01983

# Multicage Bank

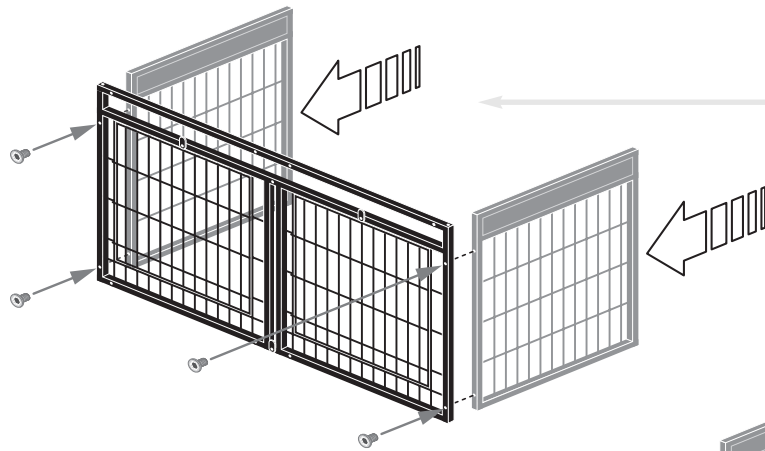
## Parts List:



Front Wall	(1)
Rear Wall	(1)
Ceiling/Floor	(2)
Sides/Wall	(2)
Divider Panel	(1)
Cross Bar	(1)
Trays	(2)

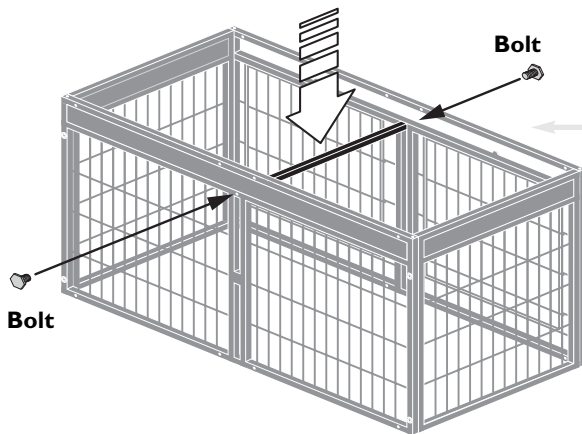
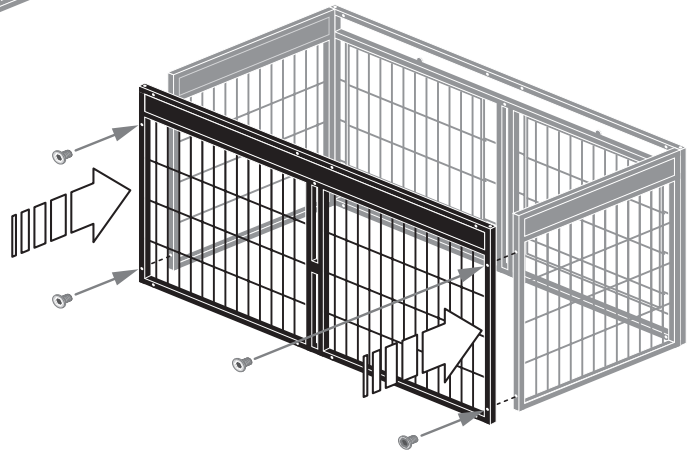
Floor Grates	(2)
Casters (Optional)	(4)
Hex Bolts	(24)
Bolts	(2)
Double-ended Bolts	(4)
Hex Tool	(2)

# Assembly Instructions: Multicage Bank



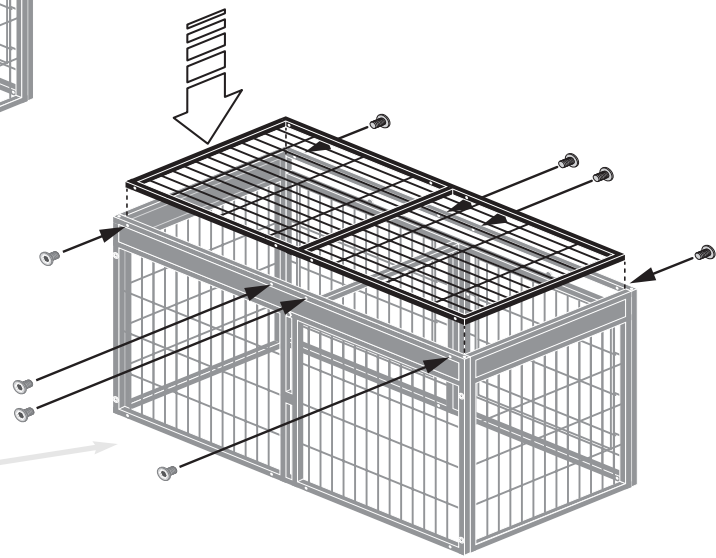
**Step 1:**  
With front wall (upside-down),  
attach side walls (also upside-  
down) with 4 hex bolts.

**Step 2:**  
Attach rear wall  
(upside down) to side  
walls using 4 hex bolts.



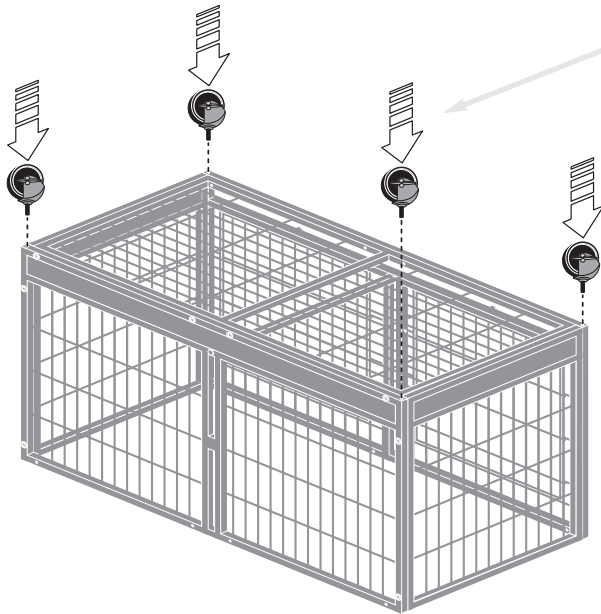
**Step 3:**  
Attach the cross bar using 2 bolts  
and a wrench.

**Step 4:**  
Lower floor into frame and  
attach with 8 hex bolts.

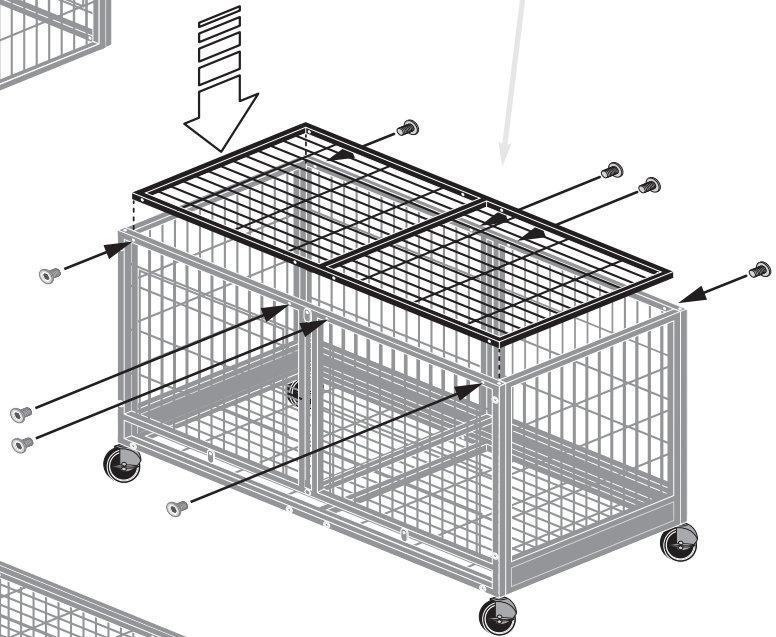


# Assembly Instructions: Multicage Bank

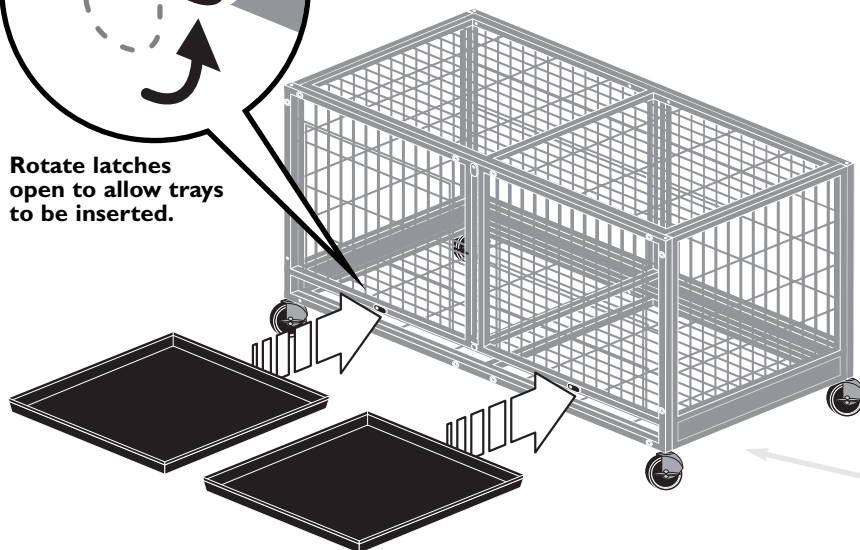
**Step 5:**  
Attach casters (optional) to corners.



**Step 6:**  
Flip cage right-side-up with casters facing down. Lower ceiling into frame and attach with 8 hex bolts.



Rotate latches open to allow trays to be inserted.



**Step 7:**  
Slide trays into place.