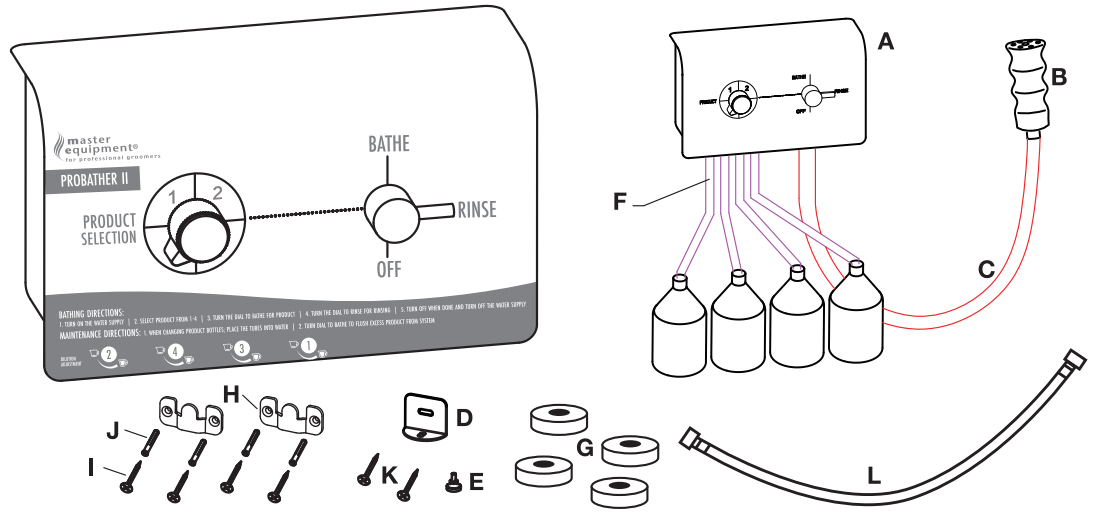


TP1022 19 Master Equipment® ProBather II Bathing System

Parts List

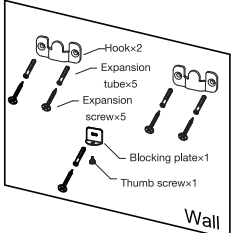
- (A) Bathing Unit
- (B) Sprayer
- (C) Sprayer Hose
- (D) Sprayer Bracket
- (E) Thumb Screw
- (F) Shampoo Inlet Hose (4)
- (G) Shampoo/Conditioner Caps (4)
- (H) Hooks (2)
- (I) Set Screw for Hooks (4)
- (J) Expansion Tubes (4)
- (K) Set Screw for Sprayer Mount (2)
- (L) Hose to water source/faucet outlet pipe



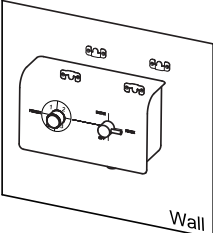
CAUTION:

1. Do not place the unit in any location where it can be touched by any animals.
2. Check all hoses and joints regularly. Be sure there are no leaks.
3. If shampoo or conditioner has congealed in the unit, please clean as soon as possible.
4. The unit is not suitable for any shampoo or conditioner whose viscosity is above 15000 mPa·s.

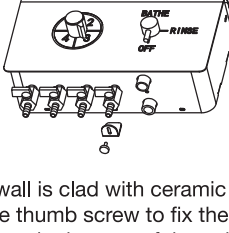
Installation Instructions:



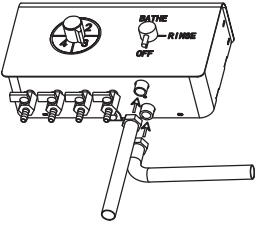
1. Put the drilling template on the wall, align and drill four holes in the wall. Use expansion screws to mount the hooks on the wall.



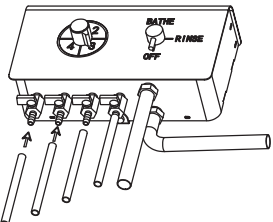
2. Mount the unit on the hook.



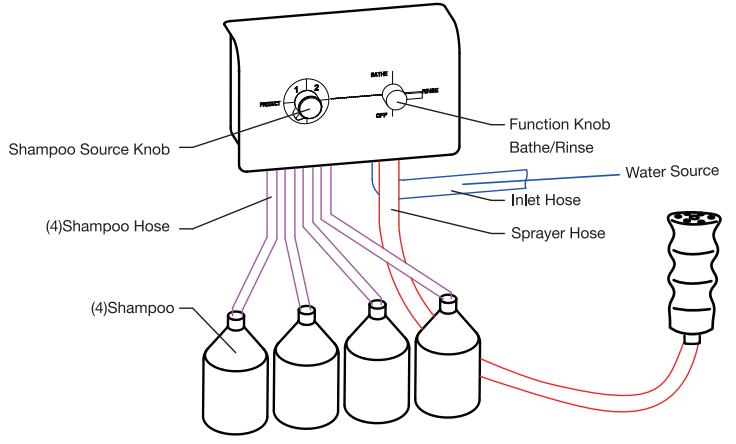
3. If the wall is clad with ceramic tiles, use the thumb screw to fix the blocking unit onto the bottom of the unit. Remove the protection on the double-sided adhesive tape and stick the unit on the wall. If the wall is not clad with ceramic tiles, expansion bolts should be used to fix the blocking unit onto the wall.



4. Attach inlet pipe and outlet pipe. *Note: Make sure that sealing gaskets is in the joints of the pipes.*



5. Install the shampoo pipes onto the ports in the 1-2-3-4 order marked.



6. Insert the pipes through the shampoo/conditioner caps and screw the cap tight on the shampoo bottle.
7. After installation, rotate vertically downward the dilution handles above the shampoo ports and turn on the water supply to check for any leaks. If the shampoo can be sucked into the pipes rapidly, the unit can be in use.

Operation Instructions:

Before use, confirm the function knob is on OFF position.

1. Rotate the dilution handle, which is above the shampoo port, from horizontal to an angle (vertical at most) to adjust the ratio of dilution, according to the different shampoos.
2. Turn on the water supply, rotate the function knob to RINSE as shown in *Figure 1*, until the coat is soaked and then turn to OFF position.
3. Turn the shampoo source knob to 1, 2, 3 or 4 to choose the product, as shown in *Figure 2*.

Note: It is suggested that you start with dilution handle of lower density. If you feel that you are not getting a good clean bath, you might wish to rotate the handle to a greater angle for higher density. For lower foam or to use less shampoo, rotate the handle to a smaller angle for lower density.

4. Turn the function knob to BATHE, as shown in *Figure 3*, and switch the sprayer to the flow mode. Hold the sprayer to soak the coat of the pet with dilution and then close the sprayer.
5. Massage shampoo into the coat until enough foams are seen.
6. Turn the function knob to RINSE, as shown in *Figure 4* and rinse the pet thoroughly.
7. After bathing pet, turn the function knob to OFF and turn the shampoo source knob to neutral position, as shown in *Figure 5*.

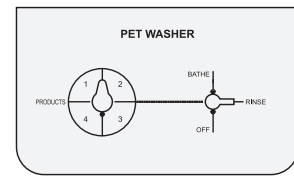


Figure 1

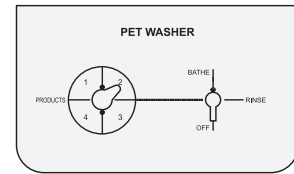


Figure 2

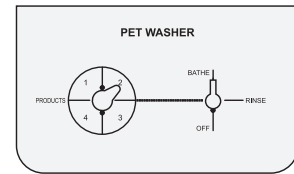


Figure 3

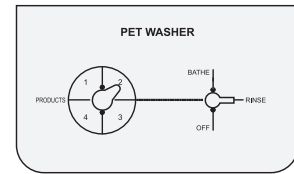


Figure 4

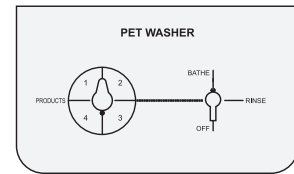


Figure 5

CARE INSTRUCTIONS

1. Keep the surface clean and dry, and use a dry and soft cloth to clean the surface.
2. Wet cloth with neutral detergent and wipe to remove stubborn stains and dirt.
3. Use only mild neutral detergent.

LIMITED WARRANTY

This Master Equipment® ProBather II Bathing System is warranted against defective material or workmanship for one year from the date of purchase. Any Master Equipment® product that is determined to be defective in material or workmanship during the warranty period will be replaced without cost to the purchaser for parts or labor. Please contact Boss Pet Products Customer Service at 1-800-638-5754 regarding any defective product. Boss Pet Products will not be liable under this warranty for any defect, failure or malfunction of this product caused by normal wear, abuse, misuse, unauthorized adjustments or repairs. Boss Pet Products will not be liable for any incidental or consequential damages of any type. Any implied warranty is limited to the one-year period provided in this express warranty. Some states do not allow limitations on how long an implied warranty lasts or exclusion or limitation of incidental or consequential damages, so the above limitations or exclusions may not apply to you. Warranty is void if product has been modified in any manner, repaired by anyone other than Boss Pet Products or has been subject to unreasonable use. Warranty is valid in the United States.

Date Purchase: _____



Manufactured for

© Boss Pet Products, Inc., Danvers, MA 01923
MADE IN CHINA

TP1022 19 Master Equipment®
ProBather II Bathing System