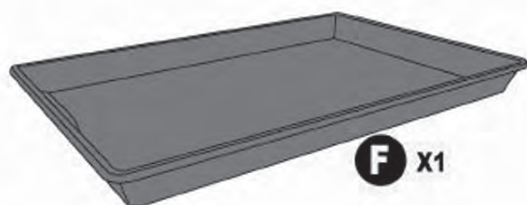
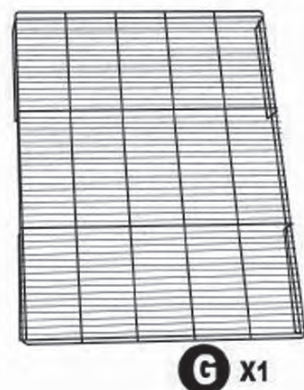
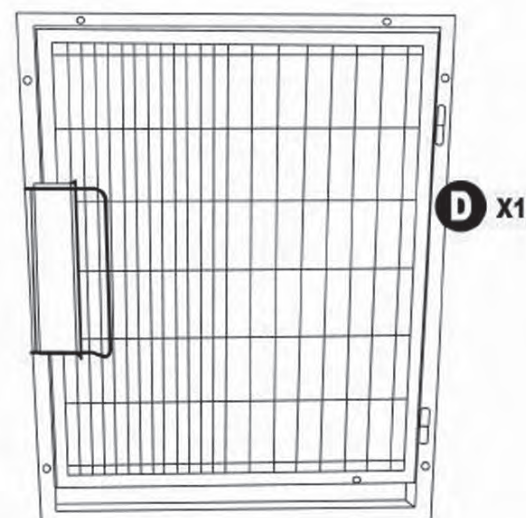
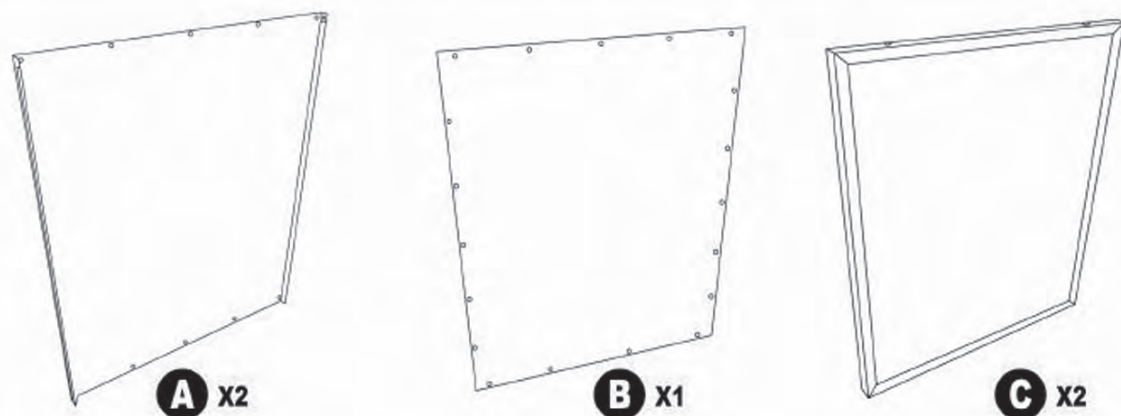


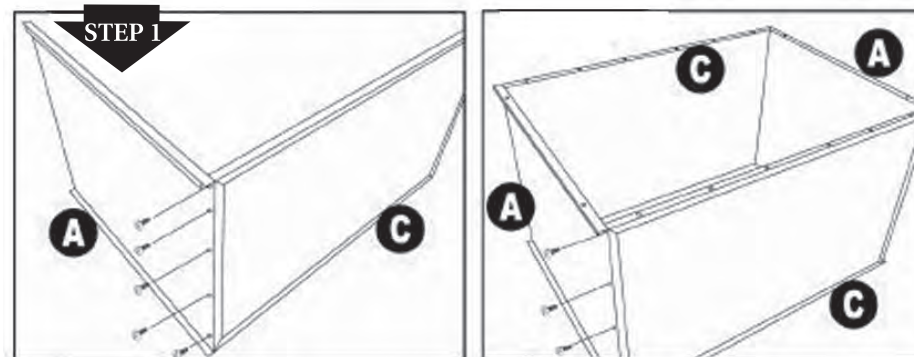
# ZW5202 Modular Kennel Cage Assembly Instructions Small & Medium



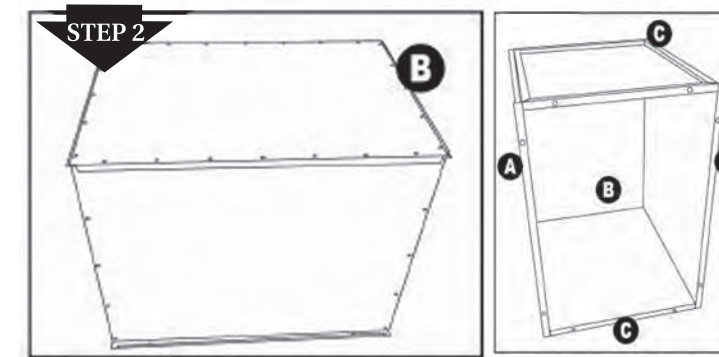
**Parts List**

|                                   |          |
|-----------------------------------|----------|
| (A) Side Panels                   | (2)      |
| (B) Back Panel                    | (1)      |
| (C) Top/Bottom Panels             | (2)      |
| (D) Front Door                    | (1)      |
| (E) Allen Wrenches                | (2)      |
| (F) Floor Tray                    | (1)      |
| (G) Floor Grate                   | (1)      |
| (H) and (I) Front Door Fasteners  | (8 each) |
| (J) Screw for Modular Kennels (S) | (34)     |
| Screws for Modular Kennels (M)    | (44)     |

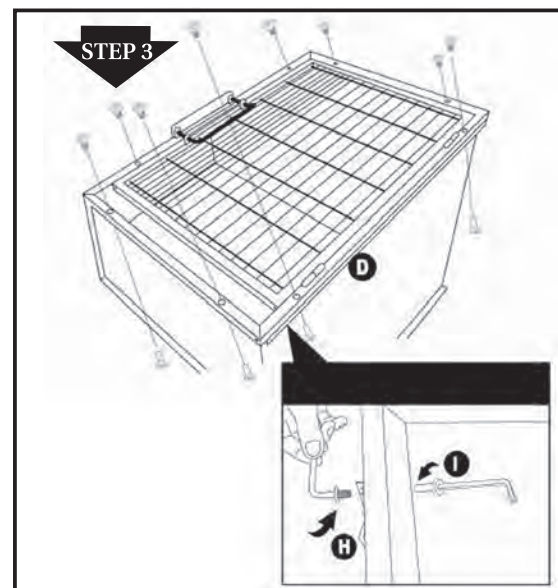
**TIP:** For each step, do not completely tighten screws and bolts until all have been fitted to the structure.



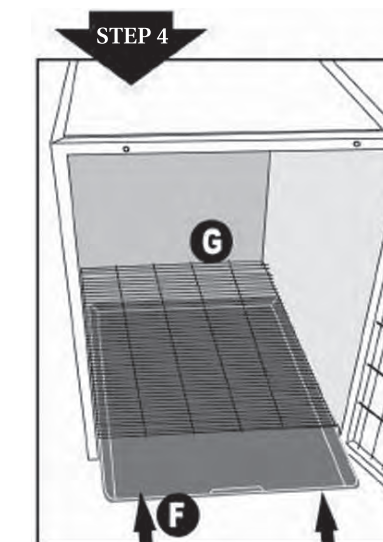
1. Connect Side Panels (A) to Top and Bottom Panels (C) using Screws (J). Note: the panel sides with the metal edging should all be facing out. The flat sides should face in.



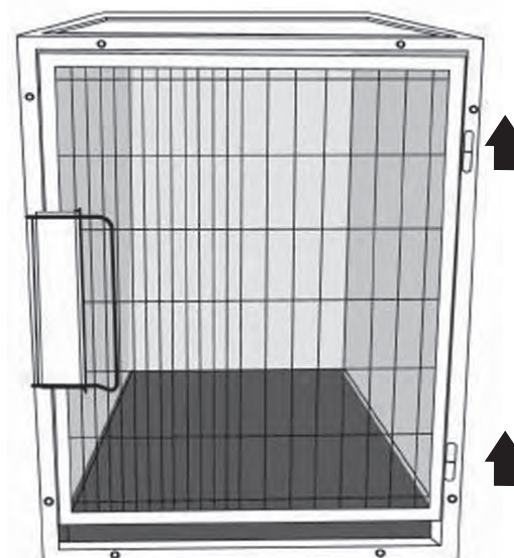
2. Connect the Back Panel (B) to the assembled panels using Screws (J).



3. Attach the Front Door (D) to the front of the structure using Bolts (H and I). The smaller (H) bolts should connect from the front, the larger (I) bolts should connect from the back. Use the two Allen Wrenches (E) to secure the bolts as shown.



4. Slide the Floor Tray (F) and the Floor Grate (G) into the structure.



5. The doors can be taken off their hinges by lifting them straight up and off.

**Care Instructions:**  
Clean with a mild soap cleaner. Do not use harsh or abrasive cleaners, bleach, or tools with metal or textured parts. These can scratch or damage the finish.

## LIMITED WARRANTY

1 Year Limited Warranty covers any defects in parts, materials and workmanship. \*NOTE: Rust is not a defect and not covered under the warranty. 1 Year Limited Rust Warranty on rust-resistance not caused by user error. 1 Year Limited Warranty for parts, materials, and workmanship.. Please contact Boss Pet Products Customer Service at 1-800-638-5754 regarding any defective product. Boss Pet Products will not be liable under this warranty for any defect, failure or malfunction of this product caused by normal wear, abuse, misuse, unauthorized adjustments or repairs. Boss Pet Products will not be liable for any incidental or consequential damages of any type. Any implied warranty is limited to the one-year period provided in this express warranty. Some states do not allow limitations on how long an implied warranty lasts or exclusion or limitation of incidental or consequential damages, so the above limitations or exclusions may not apply to you. Warranty is void if product has been modified in any manner, repaired by anyone other than Boss Pet Products or has been subject to unreasonable use. Warranty is valid in the United States.

Date Purchase: \_\_\_\_\_



Manufactured for  
© Boss Pet Products, Inc., Danvers, MA 01923  
MADE IN Taiwan