

bpp
 boss pet products.

Manufactured for ©Boss Pet Products, Inc., Danvers, MA 01923
 Manufactured in CHINA

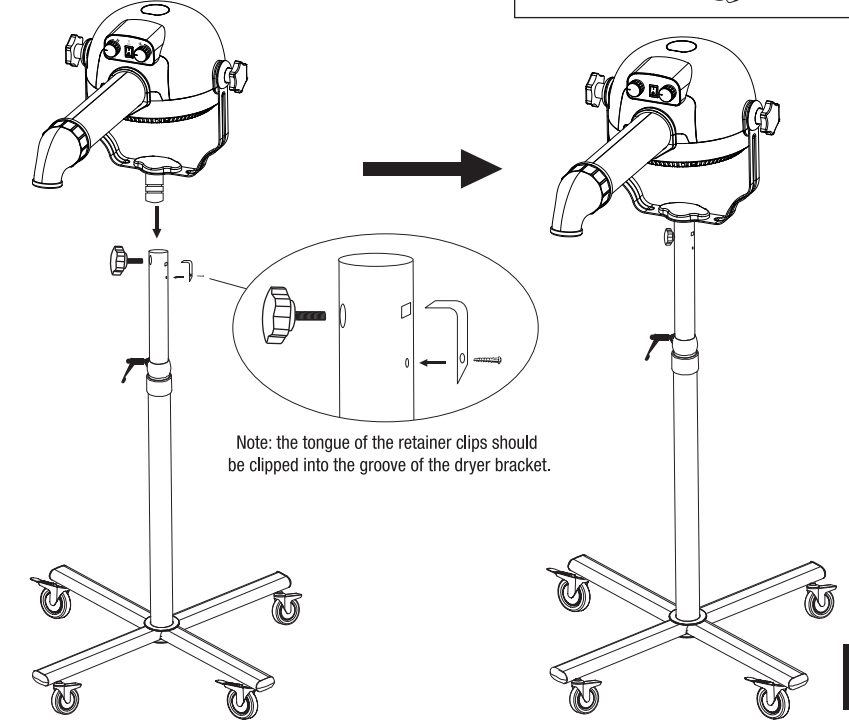
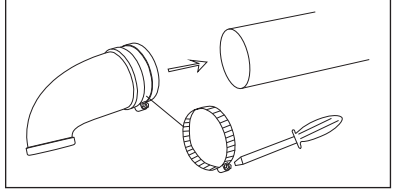
REV. 10/22

TP2019 95

Set up dryers

Unscrew the lock screw and loosen the retainer clips on the telescopic pipe, insert the dryer head into the pipe, reinstall the retainer clips so they align and lock dryer head in place. Tighten the lock screw to prevent the dryer head from rotating and secure dryer head to base. (Note: the retainer clips should align in the groove of the insert of the dryer to secure the dryer to the base.)

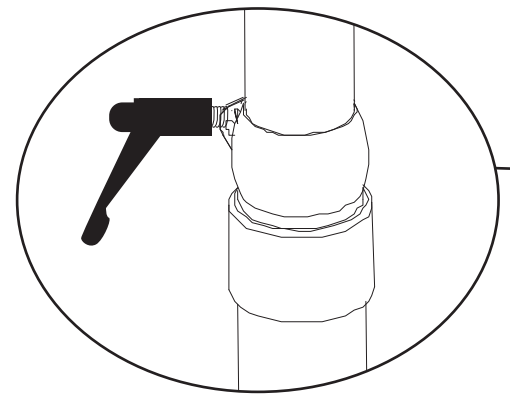
Install the nozzle to the air outlet, use a screwdriver to lock the hoop with the screw. Both models are installed in the same way.



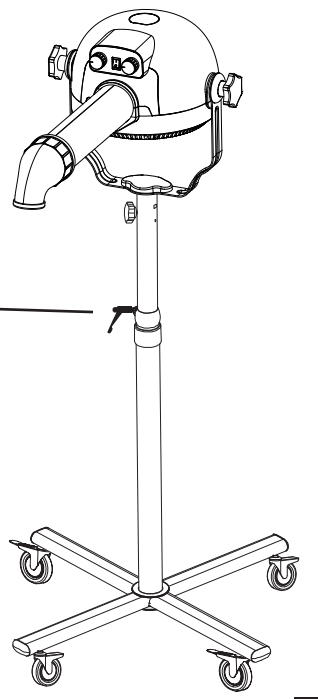
5

Height Adjustment

If you need to adjust the height of the dryer head, press down on the dryer head to prevent it from popping out and causing danger or damage after loosening the height adjustment knob. Loosen the height adjustment knob as you press. Tighten the height adjustment knob to secure the dryer head in place when it reaches the desired height.



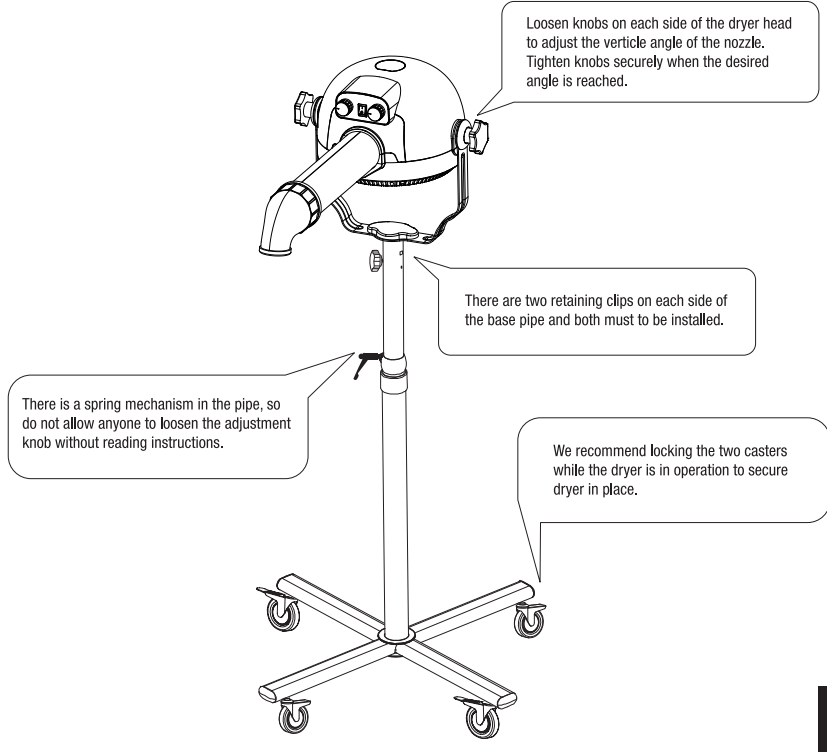
Height Adjustment Knob



6

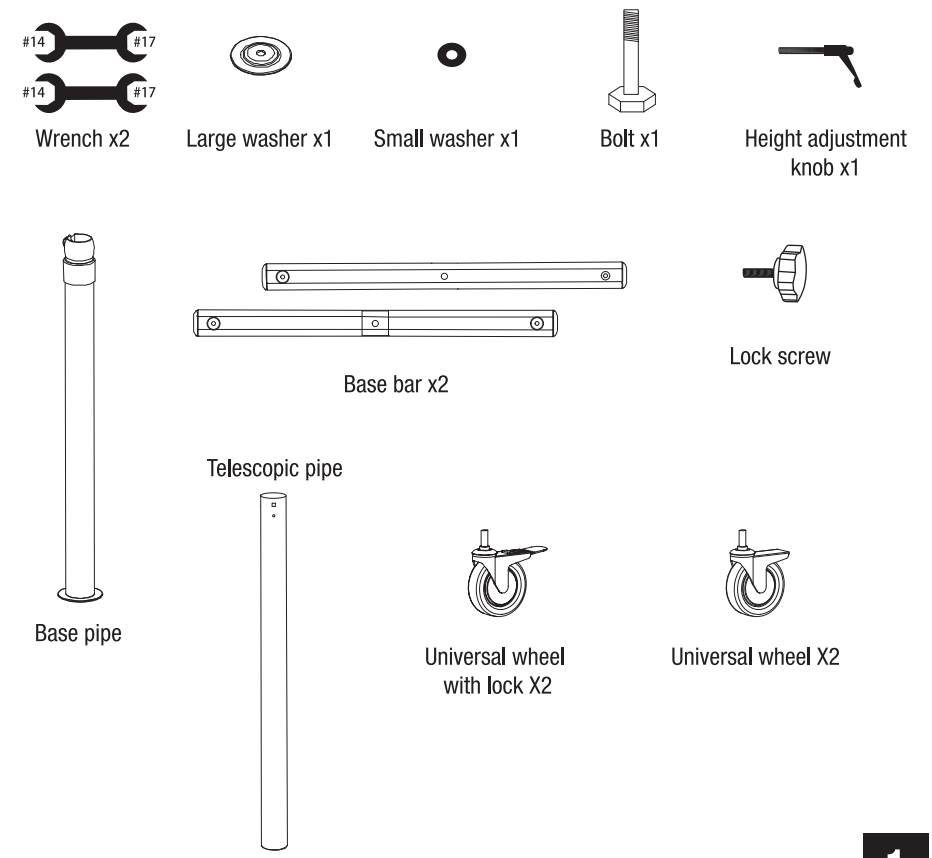
Instruction And Caution

After assembling the stand and the dryer, make sure all parts are properly installed as instructed. Boss Pet Products is not liable for any damages caused by improper installation.



7

Packing List

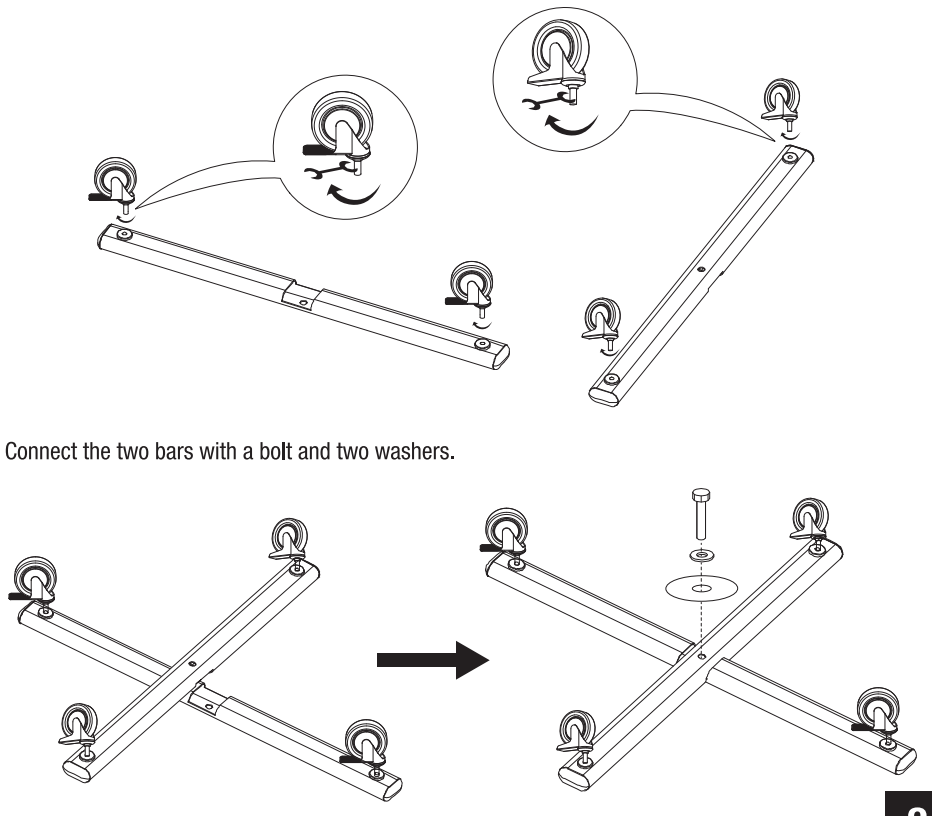


(Contact support@bosspetedge.com for missing parts.)

1

Base Assembly

Install two locking casters on the same base bar, and two casters without lock on the other bar.

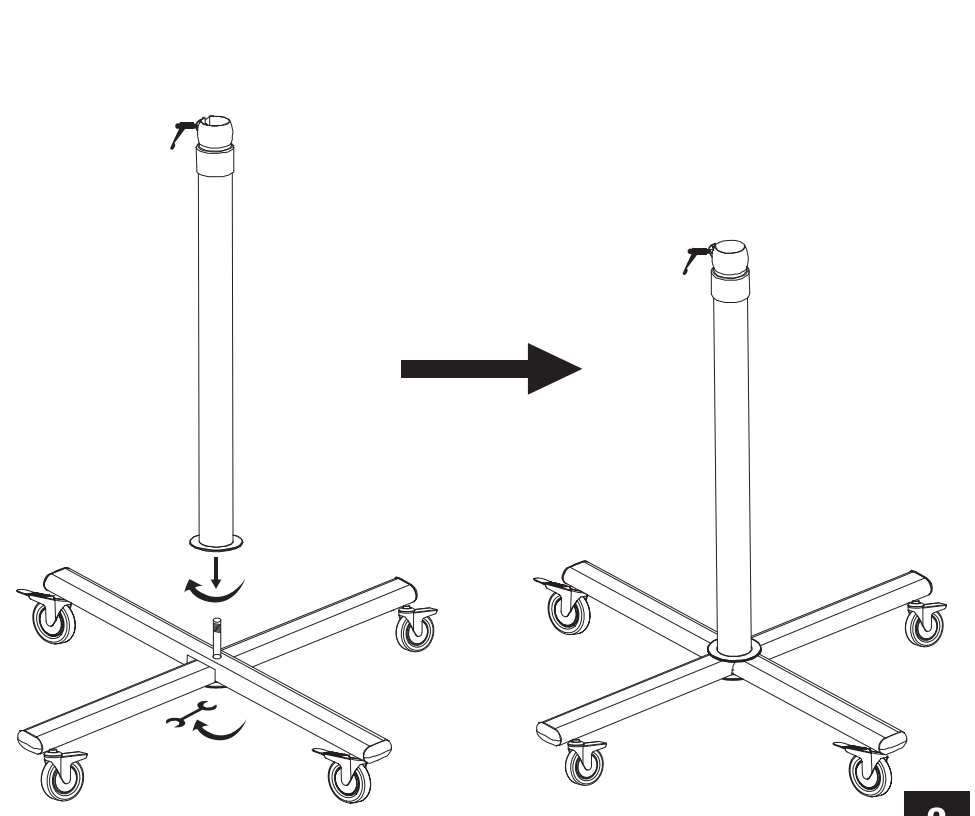


Connect the two bars with a bolt and two washers.

2

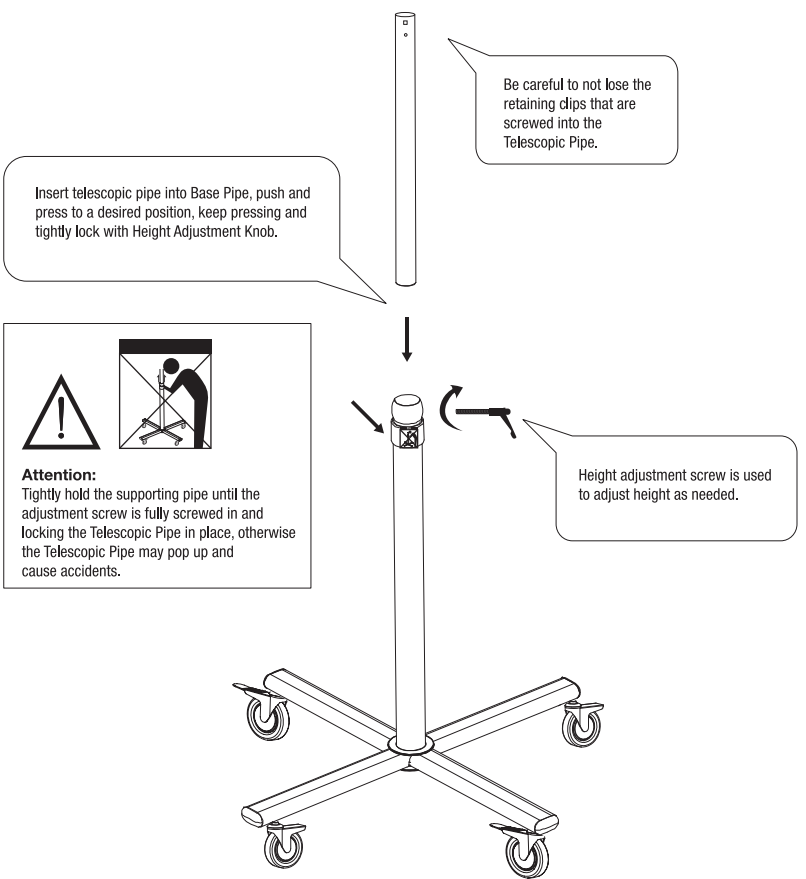
Base Pipe Assembly

Align the hole at base of the Base Pipe with the bolt, rotate shaft clockwise and tighten the screw with a wrench.



3

Telescopic Pipe Assembly



Insert telescopic pipe into Base Pipe, push and press to a desired position, keep pressing and tightly lock with Height Adjustment Knob.

Be careful not to lose the retaining clips that are screwed into the Telescopic Pipe.

Attention: Tightly hold the supporting pipe until the adjustment screw is fully screwed in and locking the Telescopic Pipe in place, otherwise the Telescopic Pipe may pop up and cause accidents.

Height adjustment screw is used to adjust height as needed.

4