

TP24011 Master Equipment® Replacement Heating Element for SuperDry Stand Dryer TP2401 Replacement Instructions

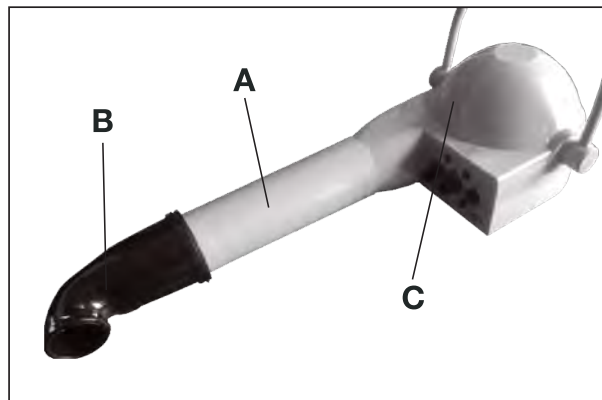
Part List
(A) Replacement
Heating Element(1)

**Tools Required
(Not Included):**
Phillips Screwdriver



Dryer Parts
(A) Air Duct (1)
(B) Nozzle attachment (1)
(C) Dryer Top (1)

Scan to watch
instruction video
on our website.



Assembly Instructions:



- 1) Turn dryer over to reveal the bottom of dryer. Twist Filter bracket counterclockwise. Remove filter bracket and filter.



- 2) Remove the 7 screws holding the back in place and the 1 screw holding the dryer tube in place.



- 3) Turn dryer right side up and separate Dryer Tube from dryer.



- 4) Remove dryer top.



- 5) Loosen first three screws from left to remove the heating element wires.



6) Remove the retaining ring from the Nozzle and remove nozzle.



7) Remove Screws from front guard on the Dryer Tube.



8) Remove retainer screws on tube holding heater element in place.



9) Remove Heater Element from rear of dryer tube.



10) Insert new Heating Element in Dryer Tube and secure from front of tube with 2 screws.



11) Replace front metal retaining guard and secure with 2 screws.



12) Replace nozzle on front of tube and replace retainer clip





TP24011 Master Equipment® Replacement Heating Element for SuperDry Stand Dryer TP2401 Replacement Instructions



13) Reconnect wires to wire posts and tighten screws.



14) From Left to right:
• Post 1 BLUE
• Post 2 BLUE
• Post 3 RED + RED



15) Replace Dryer Cover and Dryer Tube secure with screws.



16) Replace Filter and Filter Holder, turn clockwise to lock in place.

LIMITED WARRANTY

This Master Equipment® Replacement Heating Elements is warranted against defective material or workmanship for one year from the date of purchase. Any Master Equipment® product that is determined to be defective in material or workmanship during the warranty period will be replaced without cost to the purchaser for parts or labor. Please contact Boss Pet Products Customer Service at 1-800-638-5754 regarding any defective product. Boss Pet Products will not be liable under this warranty for any defect, failure or malfunction of this product caused by normal wear, abuse, misuse, unauthorized adjustments or repairs. Boss Pet Products will not be liable for any incidental or consequential damages of any type. Any implied warranty is limited to the one-year period provided in this express warranty. Some states do not allow limitations on how long an implied warranty lasts or exclusion or limitation of incidental or consequential damages, so the above limitations or exclusions may not apply to you. Warranty is void if product has been modified in any manner, repaired by anyone other than Boss Pet Products or has been subject to unreasonable use. Warranty is valid in the United States.

Date Purchase: _____



boss pet products

Manufactured for

© Boss Pet Products, Inc., Danvers, MA 01923

MADE IN CHINA

TP24011 Master Equipment®
Replacement Heating Elements