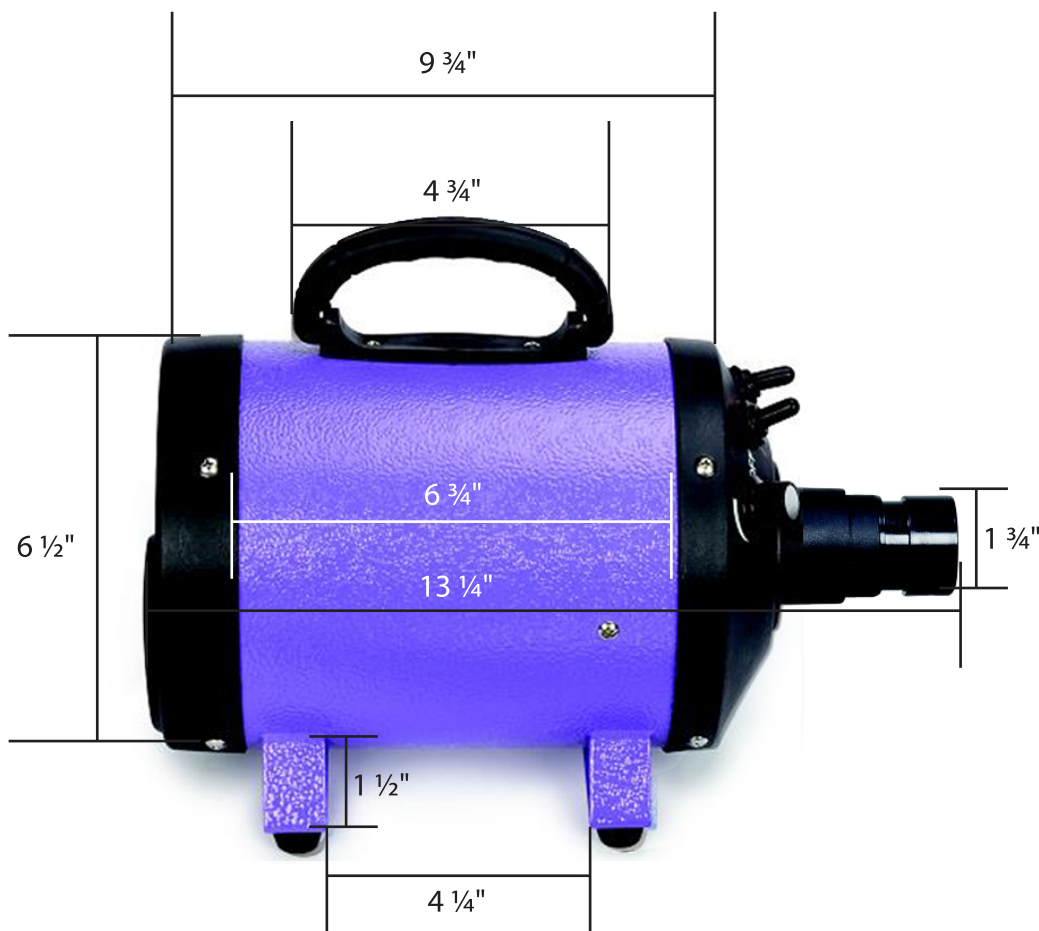


# TP253 79 • Master Equipment® FlashDry Stand Dryer Purple



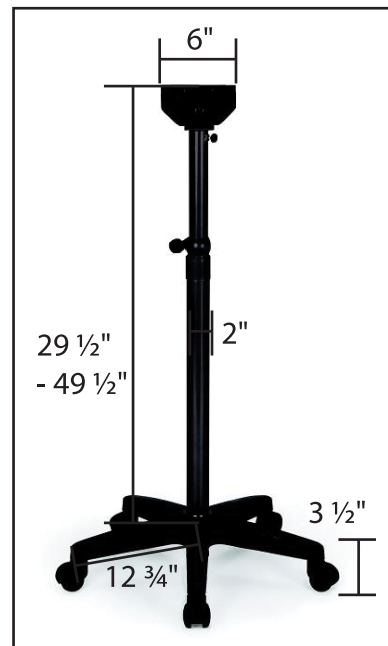
### Accessories Included:

- Dryer Stand
- 9ft Dryer Hose
- Nozzle Attachments (3)
- Hands-Free Nozzle

### Materials & Color:

- Dryer Canister: Purple powder coated carbon steel and polyethylene plastic.
- Dryer Filter: Black foam.
- Dryer Feet: Black rubber.
- Dryer Stand: Black powder coated carbon steel. Casters are made of carbon steel and rubber. Knob is made of black rubber.
- Dryer Nozzles: Black ABS plastic and rubber.
- Bolts and Screws: Zinc plated iron.
- Dryer Hose: Black polypropylene, rubber and iron.

### Dryer Stand



### Dryer Accessories



### Dryer Specifications

Motor	Air Volume	Air Speed	Heat	Amps	Volts	Watts	Weight
1.5 HP	80.8 CFM	4724 FPM	55–140°	12.5	110	1,400	11 lbs