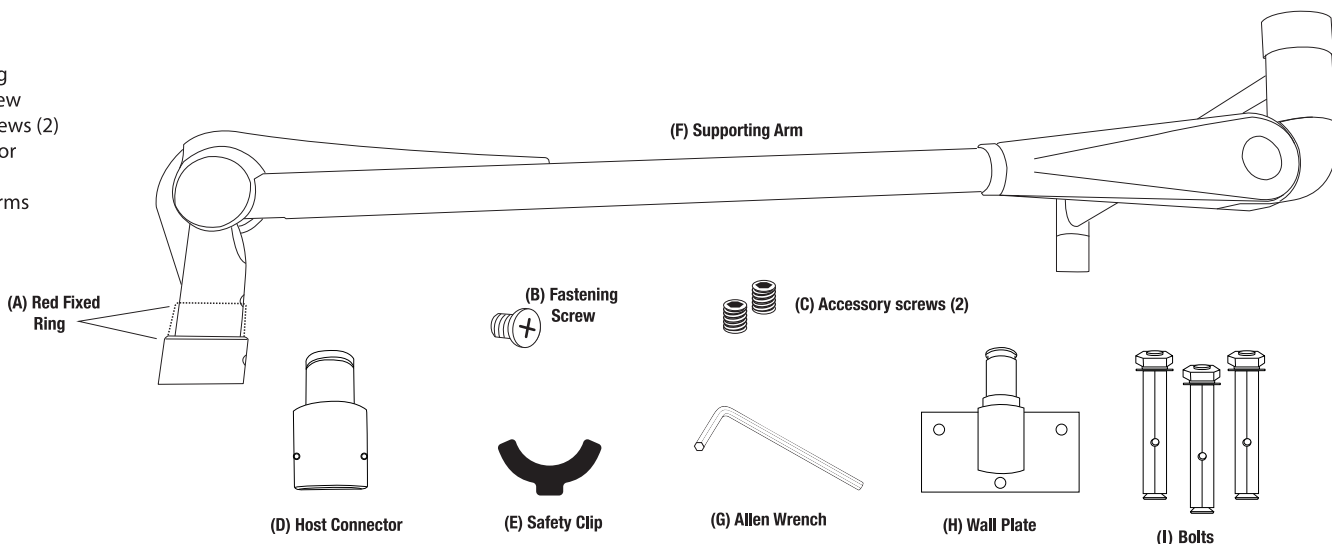


Parts List

- (A) Red Fixed Ring
- (B) Fastening Screw
- (C) Accessory Screws (2)
- (D) Host Connector
- (E) Safety Clip
- (F) Supporting Arms
- (G) Allen Wrench
- (H) Wall Plate
- (I) Bolts (3)

Tools Needed

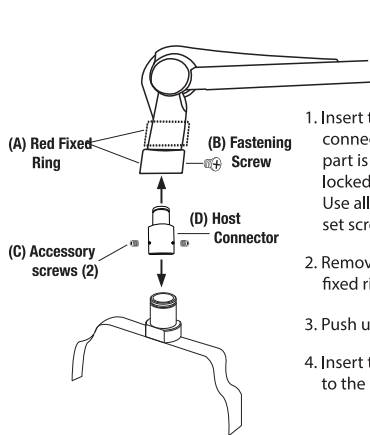
Screwdriver



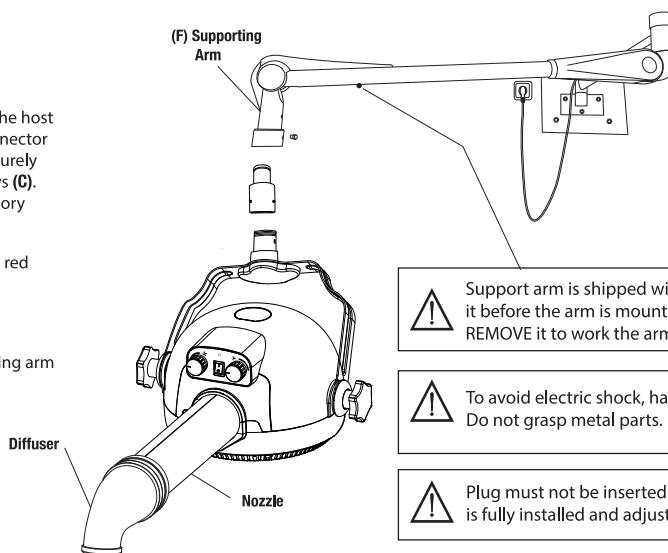
Caution:


To avoid injuries caused by the arm falling, please carefully check if you have installed the arm and the head securely before use. Boss Pet and their distributors are not responsible for those accidental injuries which are caused by improper installations.


WE RECOMMEND PROFESSIONAL INSTALLATION.




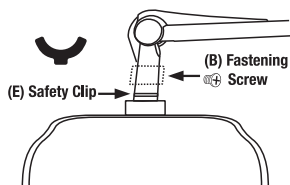
1. Insert the dryer head connector into the host connector (D), make sure that the connector part is inserted to the bottom and securely locked in with the accessory set screws (C). Use allen wrench (G) to tighten accessory set screws (C).
2. Remove the fastening screw (B) of the red fixed ring (A).
3. Push up the red fixed ring (A).
4. Insert the connector head into the lifting arm to the bottom.



 Support arm is shipped with a safety bracket. DO NOT REMOVE it before the arm is mounted. Once mounting is finished, REMOVE it to work the arm properly.

 To avoid electric shock, handle by the nozzle only. Do not grasp metal parts.

 Plug must not be inserted into a power outlet until the dryer is fully installed and adjusted.



5. Insert the safety clip (E) into the lifting arm
6. Push the red fixed ring (A) to the correct position
7. Lock in the fastening screw (B) of red fixed ring (A)

Installation of Wall-Mounted Arm

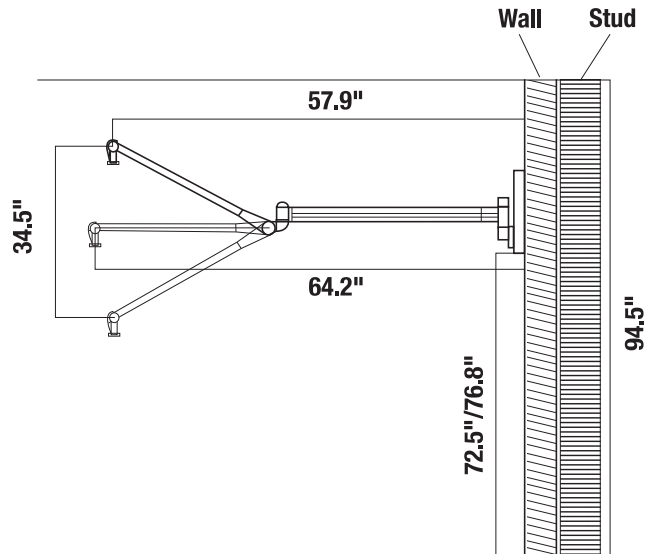
1. MOUNT TO A BEAM/STUD WITHIN THE WALL

The wall must be strong enough to support the arm assembly and machine body.

2. MEASURE THE HEIGHT

WALL HEIGHT: >94.5 inches (240 cm)

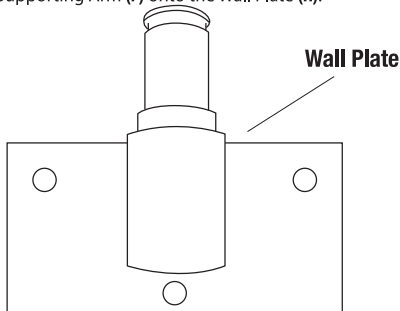
HEIGHT FROM BRACKET TO FLOOR: 72.5"/76.8 inches (184/195 cm)



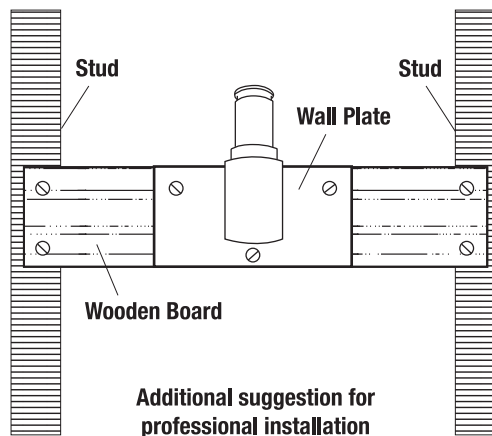
Installation of Wall Plate

Refer to diagrams. Drill 3 holes in the same position as the Wall Plate (H).

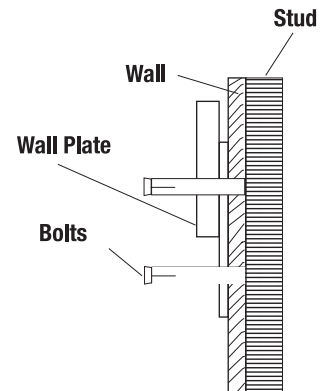
Install the Wall Plate (H) onto the wall using the Bolts (I) and then hang the Supporting Arm (F) onto the Wall Plate (H).



Use level assist installation to ensure level



Additional suggestion for professional installation



LIMITED WARRANTY

This Master Equipment® PowerDri™ System Ionic Fluffer Wall Mount is warranted against defective material or workmanship for one year from the date of purchase. Any Master Equipment® product that is determined to be defective in material or workmanship during the warranty period will be replaced without cost to the purchaser for parts or labor. Please contact Boss Pet Products Customer Service at 1-800-638-5754 regarding any defective product. Boss Pet Products will not be liable under this warranty for any defect, failure or malfunction of this product caused by normal wear, abuse, misuse, unauthorized adjustments or repairs. Boss Pet Products will not be liable for any incidental or consequential damages of any type. Any implied warranty is limited to the one-year period provided in this express warranty. Some states do not allow limitations on how long an implied warranty lasts or exclusion or limitation of incidental or consequential damages, so the above limitations or exclusions may not apply to you. Warranty is void if product has been modified in any manner, repaired by anyone other than Boss Pet Products or has been subject to unreasonable use. Warranty is valid in the United States.

Date Purchase: _____

bpp
boss.pet.products.

Manufactured for

© Boss Pet Products, Inc., Danvers, MA 01923

MADE IN CHINA

TP20420 02
Master Equipment® PowerDri™
System Ionic Fluffer Wall Mount