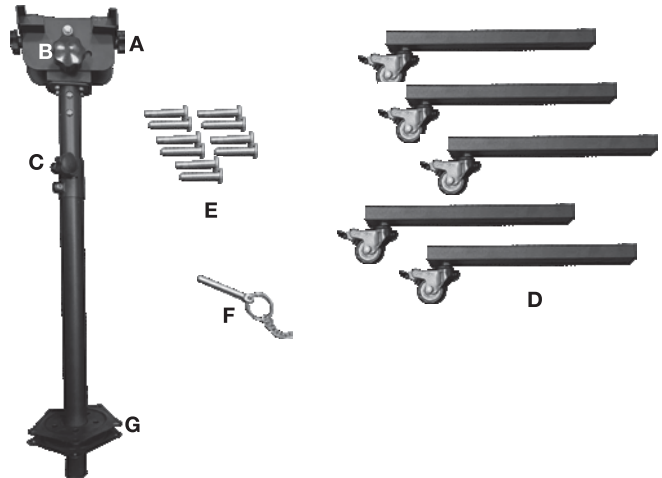


# TP9413 95 Master Equipment® PowerDri™ System Stand for TP9412 & TP9414 Dryers



## Parts List

- (A) Dryer Attachment Knobs (2)
- (B) Horizontal Angle Knob
- (C) Height Adjustment Knob
- (D) Legs with Casters (5)
- (E) Bolts (10)
- (F) Retaining Pin
- (G) Base for Holding Legs



## Assembly Instructions

1. Attach 5 legs to the base of the black column with bolts.
2. Locate the four knobs on the stand. The two knobs on the front and rear are used to attach the dryer. Loosen the two knobs to release two clamping pieces on the bracket. Put the dryer on the bracket, let the clamping pieces hold the legs of the dryer and tighten the knob to attach the dryer. The knob on the side is used to adjust the horizontal angle of the bracket. Loosen the knob, adjust the angle and tighten the knob to secure the angle. The knob on the vertical column is used to adjust the height of the stand. Loosen the knob, pull out the retaining pin and move up/down the column to adjust the height. Align and insert the pin to one of the holes to secure the column. Rotate the knob to tighten the column.

## CARE INSTRUCTIONS

In between use, the stand should be cleaned and sterilized.

## SAFETY WARNING

1. Use only as described in this manual. Use only manufacturer's recommended attachments.
2. This product is not intended for use by persons (including children) with reduced physical, sensory or mental capabilities, or lack of experience and knowledge, unless they have been given supervision or instruction concerning use of the product by a person responsible for their safety. Children should be supervised to ensure that they do not play with the product.
3. DO NOT modify, disassemble or repair.
4. Avoid using the product in dusty, vibrating and wet environments and in chemical storage places.

## LIMITED WARRANTY

This Master Equipment® PowerDri™ System Stand is warranted against defective material or workmanship for one year from the date of purchase. Any Master Equipment® product that is determined to be defective in material or workmanship during the warranty period will be replaced without cost to the purchaser for parts or labor. Please contact Boss Pet Products Customer Service at 1-800-638-5754 regarding any defective product. Boss Pet Products will not be liable under this warranty for any defect, failure or malfunction of this product caused by normal wear, abuse, misuse, unauthorized adjustments or repairs. Boss Pet Products will not be liable for any incidental or consequential damages of any type. Any implied warranty is limited to the one-year period provided in this express warranty. Some states do not allow limitations on how long an implied warranty lasts or exclusion or limitation of incidental or consequential damages, so the above limitations or exclusions may not apply to you. Warranty is void if product has been modified in any manner, repaired by anyone other than Boss Pet Products or has been subject to unreasonable use. Warranty is valid in the United States.

Date Purchase: \_\_\_\_\_



Manufactured for  
© Boss Pet Products, Inc., Danvers, MA 01923  
MADE IN CHINA

TP9413 95 Master Equipment®  
ProDri™ System Stand for  
TP9412 & TP9414 Dryers