

ProSelect
Professional Crate

ZW064 ProSelect Puppy Playpen

Set Up Instructions

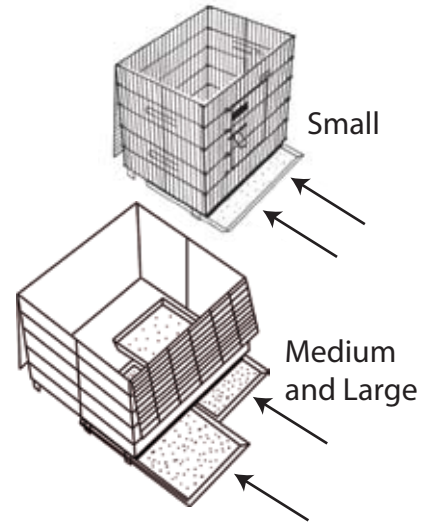
Step 1 - Unfold Playpen

Unfold the playpen and set the base on the floor. Pull the left side outward, then the right side, so the pen forms the shape of a butterfly. Pull the inverted panels outward to form a complete square.



Step 2 - Insert Pan(s)

Small size has one pan, Medium and Large sizes have two pans. Insert the pan(s) underneath the front door panel. Secure the pan(s) into place between the four legs.



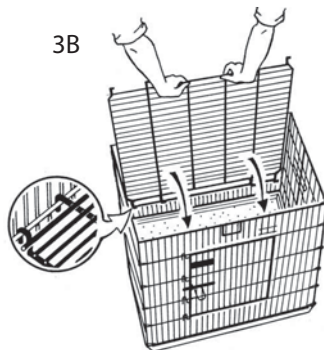
Step 3 - Install Floor(s)

Small Playpen

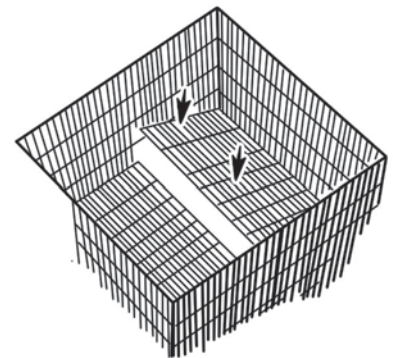
Hold floor panel so four end prongs are facing towards you and pointing downward. Stand in front of the door, position floor panel straight up-and-down and lower it into the cage (figure 3A). Lower and secure side prongs into the pen and lock prongs onto the outside edges of the front door panel. (Figure 3B).

Medium + Large Playpen

The large playpen has two floor panels. Lower the first panel in the same manner as above, securing it into the front half of the playpen. Lower the second floor panel into the rear half of the pen, securing in the same manner as the first (figure 3C). Note: Floor can be secured at any desired level, for five different height options.



3C



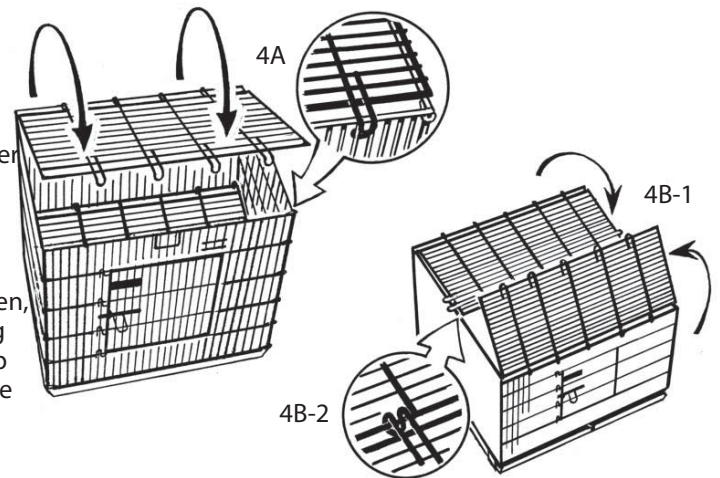
Step 4 - Close and Latch Top

Small Playpen

The top panel is attached to the side of the playpen. Swing it up and over the playpen (figure 4A) and latch the prongs over the wires of the side panel to secure the top.

Medium + Large Playpens

Swing the panel that has two sets of side prongs up and over the playpen, securing the side prongs to the sides of the playpen (figure 4B-1). Swing the second top panel up and lock it onto the first by squeezing both top panels together causing the hooks on the second panel to latch over the first (figure 4B-2).



Caution: For safety, remove dog collars and tags before allowing dog to enter playpen.