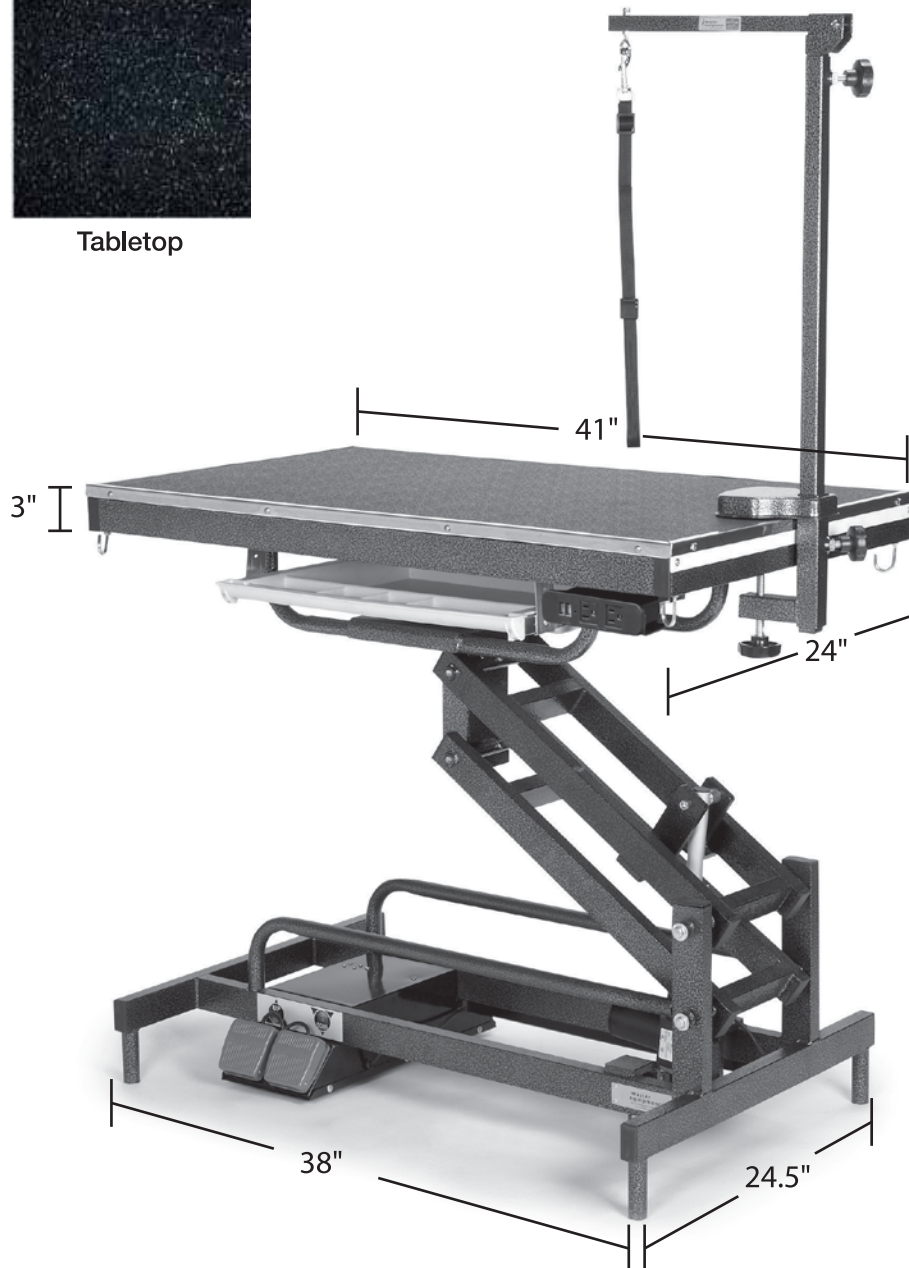


TP1516 17 • Master Equipment Origin II Electric Table With Outlet



Tabletop



Accessories Included:

- Foldable Grooming Arm with Clamp
- 18" Grooming loop black
- Leg Levelers (4)
- Optional Casters Available for Purchase

Materials & Color:

- Table Frame: 18 gauge, 1.2mm thick steel. Powder-coated graphite finish.
- Tabletop: ½" plywood with black rubber matting. Type 304 stainless steel trim.
- Grooming Arm: Powder-coated graphite finish. Horizontal Bar is 20 gauge, 0.9mm thick steel. Vertical Bar is 19 gauge, 1.0mm thick steel. Clamp is 13 gauge, 2.2mm thick steel. Small knobs are black high impact polystyrene (HIPS). Large knob is black nylon PA66. Screws are nickel-plated steel.
- Drawer: White High Impact Polystyrene (HIPS) plastic.
- Pedals: Grey ABS plastic.

20" - 44"

Voltage & Power:

- Rated Power: 72 Watts
- Input Voltage: 120 Volts
- Output Voltage: 28 Volts

Other Features:

- Weight Capacity: 185 lbs
- Rate of Descent: 0.97inches/second
- Rising Rate: 0.75inches/second

