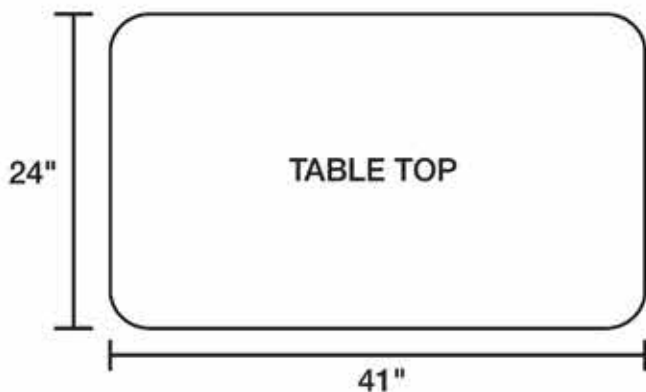
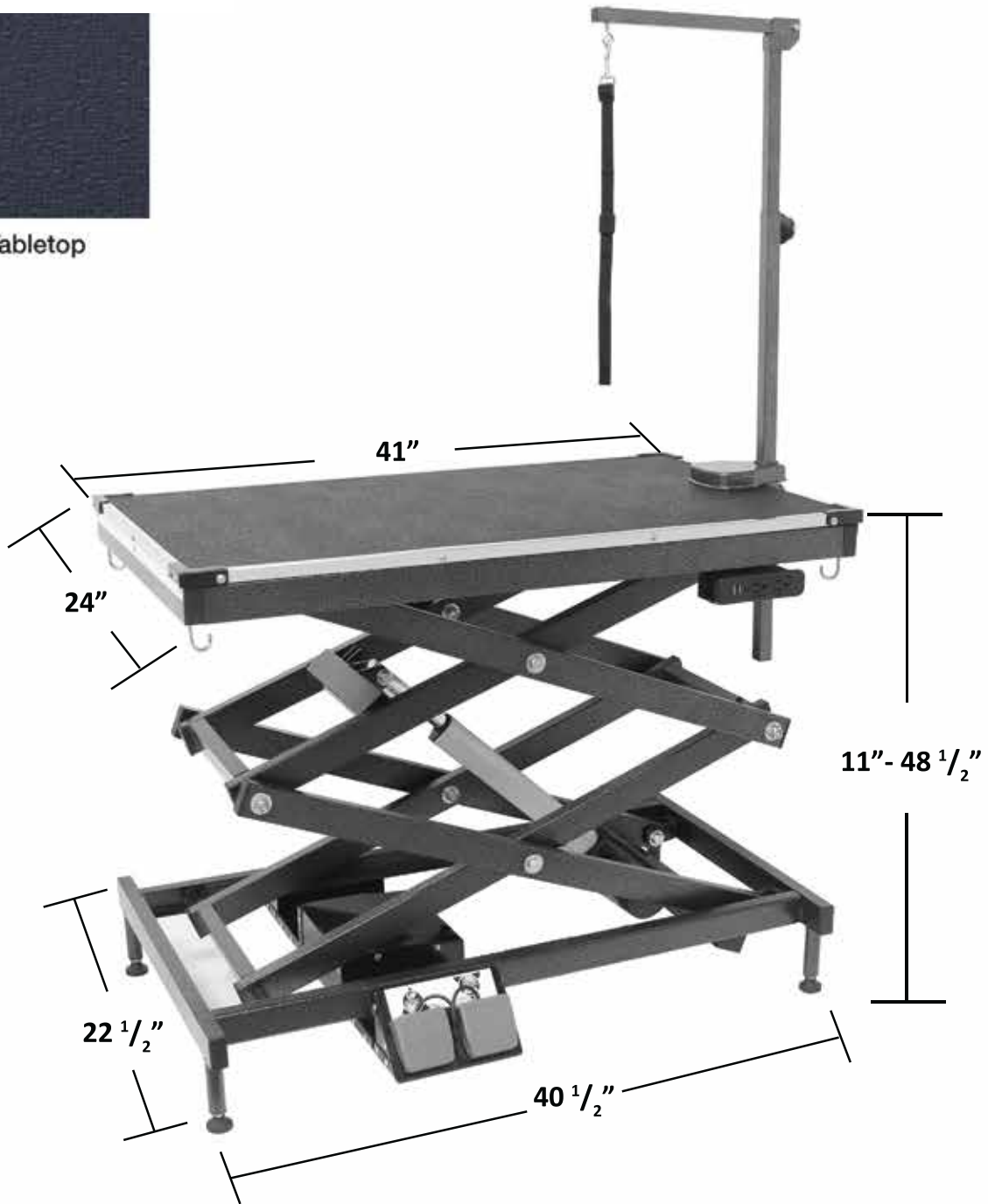


# TP2420 41 17 • Master Equipment Xtend Delux Electronic Grooming Table with Outlet



Tabletop



- **Table Top:** Solid wood with rubber matting.
- **Assembly:** See assembly instructions.
- **Levelers:** Levelers on all four legs compensate for uneven floors. (Height measurements include unextended levelers.)



# TP2420 41 17 • Master Equipment Xtend Delux Electronic Grooming Table with Outlet

- Lifts up to 220 lbs
- Durable, powder-coated finish
- Heavy-duty steel construction
- Height adjusts from 11" to 48.5"
- 41"L x 24"W x 3"H thick tabletop
- Convenient hooks for hanging tools

## SAVE THESE INSTRUCTIONS • IMPORTANT SAFEGUARDS

Basic safety instructions should be followed when using electrical appliances, including the following:

**CAUTION:**  
Do not leave an animal on the table unattended. Use a grooming loop to properly restrain animal. Quick-release loops or clips are recommended to prevent injury in case animal accidentally jumps off the table. Do not use a choke-style lead or collar.

- WARNING:**  
To reduce the risk of burns, fire, electrical shock, or injury to person or pets:
1. Do not leave grooming table plugged in when unattended.
  2. Do not allow unsupervised children to play near or operate the table.
  3. Do not immerse motor in water or other liquids.
  4. Unplug table before cleaning or servicing.
  5. Use table only for its intended use described in this manual. Do not use attachments not recommended by the manufacturer.
  6. Never operate this grooming table if it has a damaged cord or plug, or if it is not working properly. If table is not working or is damaged, contact PetEdge customer service at 1-800-638-5754.
  7. Keep cord away from heated surfaces.
  8. Do not place or store this appliance where cord may be damaged by an animal or exposed to weather
  9. Do not pull, twist, or wrap cord around table base. Continuous stress on cord can cause damage and result in a shock hazard.
  10. While operating grooming table, keep cord away from moving parts. If cord becomes kinked or tangled, straighten cord and inspect for damage before resuming use.



## CARE & MAINTENANCE:

Unplug table. Wipe off tabletop with a sponge or damp cloth and mild cleaner after each use. Recommend using mild soap and water, or a non-caustic cleaner. Periodically vacuum or dry wipe, lifting mechanism to keep it free from hair and debris. Base can also be cleaned when needed with damp cloth or sponge. Dry off any excess water. Check electric cord and plug for signs of damage or wear.

## OPERATING INSTRUCTIONS:

This table is designed for use with standard 120V outlet. This grooming table also has a polarized plug (one blade is wider than the other). As an important safety feature, this plug is intended to fit into a polarized outlet only one way. If the plug does not fit fully in the outlet, reverse the plug. If it still does not fit, contact a qualified electrician to install the proper outlet. Do not attempt to modify the plug in any way. This table is also designed with an automatic shut-off. Motor, transformer, and cord are all UL approved. We recommend that this table be used with a surge protector at all times.

## ASSEMBLY OF FOLDABLE GROOMING ARM:

1. Place arm support base on edge of grooming table and tighten bolt clamp to secure to tabletop.
2. Loosen height adjustment knobs and slide grooming arm post at both top and bottom until it is at desired height. Tighten knobs to lock into place.
3. Swing foldable arm over post until it is positioned over table perpendicular to grooming post.
4. Attach grooming loop to eye-screw at top of arm.
5. Fold arm back against post when not in use..

## OPERATING TABLE:

1. Table is fully assembled. Before use, make sure table is level by turning leveling foot under each base leg. Plug cord into any standard 110 120V wall outlet.
2. This grooming table is equipped with identical up and down control pedals located on each side of the table base.
3. To reduce strain and unnecessary lifting of heavy animals, it is recommended to lower the table to the minimum height and let the animal step up onto the table before positioning the table to desired height for grooming.
4. Once animal is positioned on table, place the grooming loop that is attached to grooming arm around animal's neck and adjust to fit comfortably.

## LIMITED WARRANTY

This Master Equipment® Xtend Delux Electric Grooming Table With Outlet is warranted against defective material or workmanship for one year from the date of purchase. Any Master Equipment® product that is determined to be defective in material or workmanship during the warranty period will be replaced without cost to the purchaser for parts or labor. Please contact Boss Pet Products Customer Service at 1-800-638-5754 regarding any defective product. Boss Pet Products will not be liable under this warranty for any defect, failure or malfunction of this product caused by normal wear, abuse, misuse, unauthorized adjustments or repairs. Boss Pet Products will not be liable for any incidental or consequential damages of any type. Any implied warranty is limited to the one-year period provided in this express warranty. Some states do not allow limitations on how long an implied warranty lasts or exclusion or limitation of incidental or consequential damages, so the above limitations or exclusions may not apply to you. Warranty is void if product has been modified in any manner, repaired by anyone other than Boss Pet Products or has been subject to unreasonable use. Warranty is valid in the United States.

Date Purchase: \_\_\_\_\_



Manufactured for  
© Boss Pet Products, Inc., Danvers, MA 01923  
MADE IN TAIWAN

TP2420 41 17 Master Equipment®  
Xtend Delux Electric Grooming Table  
With Outlet