

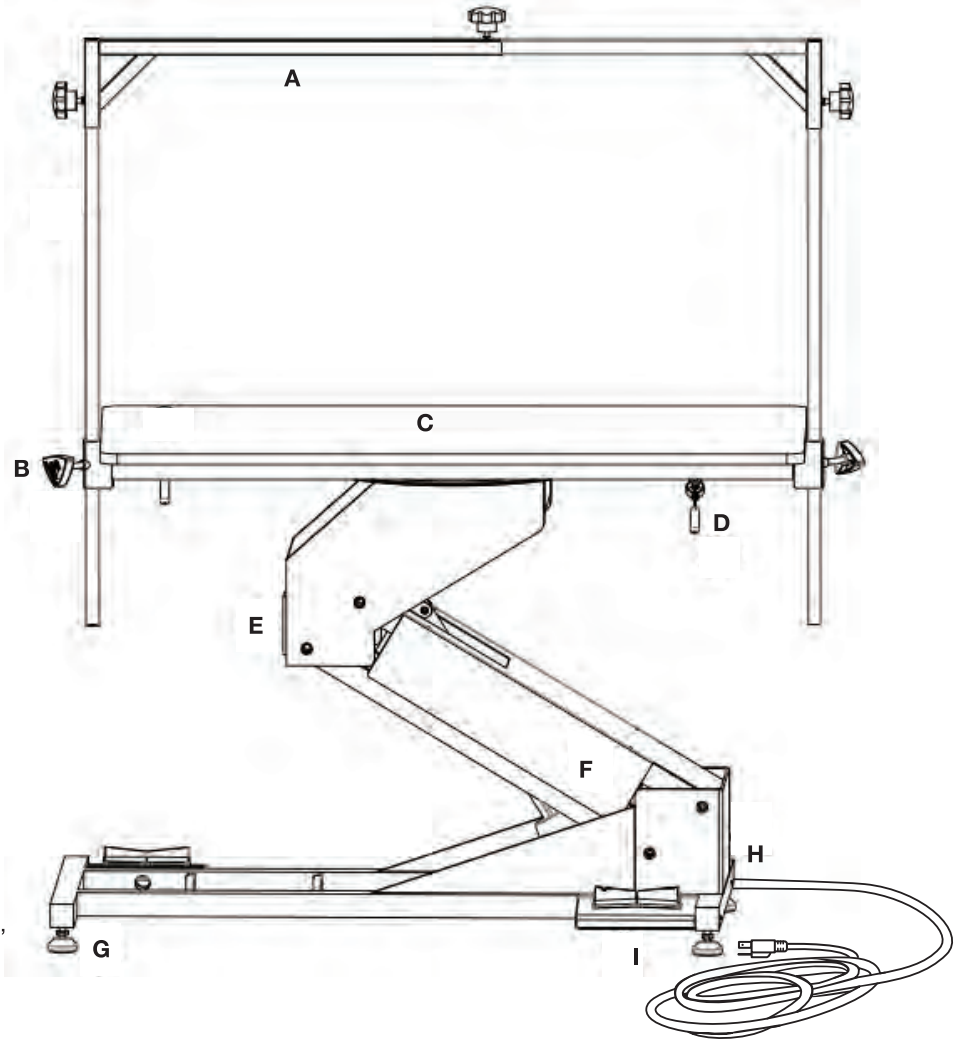
Parts List

- (A) Overhead Grooming Arm
- (B) Tightening Knob
- (C) Tabletop
- (D) Locking Handle
- (E) Electrical Outlets
- (F) Electric Lifting Base
- (G) Adjustable Levelers
- (H) Power Cable and Plug
- (I) Foot Control Pedals

Specifications

- Dimension: 47.27" × 23.62" × 15.7"-45"H
- Package: 51.97" × 26.38" × 21.26"
- Rated Voltage: AC 220V 50Hz AC110V, 60Hz
- Net Weight: 196.21 lbs
- Gross Weight: 205 lbs
- Weight Capacity: 350 lbs

Rotational top allows the pet to be turned around effortlessly, making it easier for the groomer to access different areas of the pet's body. This function can be particularly useful when grooming a pet that is not used to being groomed or is anxious, at the same time, it can eliminate groomer's constant need for walking around the table.



Assembly Instructions

1. The overhead grooming arm consists of two part, a vertical bar and a horizontal bar. The table itself has a fixture slot on each of the ends of the tabletop to mount the vertical bars.
2. Insert the vertical bar of the grooming arm into the slot of the frame and use the big tightening knob to secure the bar.

Operation Instructions

1. Plug the table into an outlet.
2. Step on the set of Foot Control Pedals (I) to adjust the height of the table as needed.
3. Install the Overhead Grooming Arm (A)
4. Place the animal on the Tabletop (C), secure animal with grooming loop, and proceed with grooming.
5. After work is completed, safely remove the animal, unplug the table, and clean the tabletop.

CARE INSTRUCTIONS

1. In between usages, the table should be cleaned and sterilized.
2. The moving parts of the table should be often lubricated to ensure the smoothness of the movement.

SAFETY WARNING

1. Use only as described in this manual. Use only manufacturer's recommended attachments.
2. To reduce the risk of fire, or electric shock – DO NOT use outdoors or on wet surfaces.
DO NOT place the product on an uneven or soft ground.
3. This product is not intended for use by persons (including children) with reduced physical, sensory or mental capabilities, or lack of experience and knowledge, unless they have been given supervision or instruction concerning use of the product by a person responsible for their safety.
Children should be supervised to ensure that they do not play with the product.
4. DO NOT use with damaged cord or plug.
5. DO NOT cut, damage, or modify the cord. DO NOT pull or carry by cord, use cord as a handle, close door on cord, or pull cord around sharp edges or corners. DO NOT pull, twist, or bend the cord with unnecessary force. DO NOT run the product over cord. Keep cord away from heated surfaces. DO NOT place heavy objects on the cord or allow the cord to get pinched in between objects. DO NOT wind the cord around the product.
6. DO NOT unplug by pulling on cord. To unplug, grasp the plug, not the cord.
7. DO NOT handle plug or the product with wet hands.
8. Turn off all controls before unplugging.
9. DO NOT use the product near flammable or combustible liquids such as gasoline or use in areas where they may be present. The fumes from these substances can create a fire hazard or explosion.
10. DO NOT modify, disassemble or repair.
11. Make sure the local voltage and frequency of the power meet the requirements on the label of the product.
12. Avoid using the product in dusty, vibrating or wet environments or in chemical storage place.
13. Neither people nor animals should be under the tabletop when it is powered on.
14. Gently control the table to rise or lower slowly and safely.

LIMITED WARRANTY

This Master Equipment® Electric Z-Lift Rotating Table is warranted against defective material or workmanship for one year from the date of purchase. Any Master Equipment® product that is determined to be defective in material or workmanship during the warranty period will be replaced without cost to the purchaser for parts or labor. Please contact Boss Pet Products Customer Service at 1-800-638-5754 regarding any defective product. Boss Pet Products will not be liable under this warranty for any defect, failure or malfunction of this product caused by normal wear, abuse, misuse, unauthorized adjustments or repairs. Boss Pet Products will not be liable for any incidental or consequential damages of any type. Any implied warranty is limited to the one-year period provided in this express warranty. Some states do not allow limitations on how long an implied warranty lasts or exclusion or limitation of incidental or consequential damages, so the above limitations or exclusions may not apply to you. Warranty is void if product has been modified in any manner, repaired by anyone other than Boss Pet Products or has been subject to unreasonable use. Warranty is valid in the United States.

Date Purchase: _____



Manufactured for

© Boss Pet Products, Inc., Danvers, MA 01923
Made in China

TP8988 48 Master Equipment®
Electric Z-Lift Rotating Table