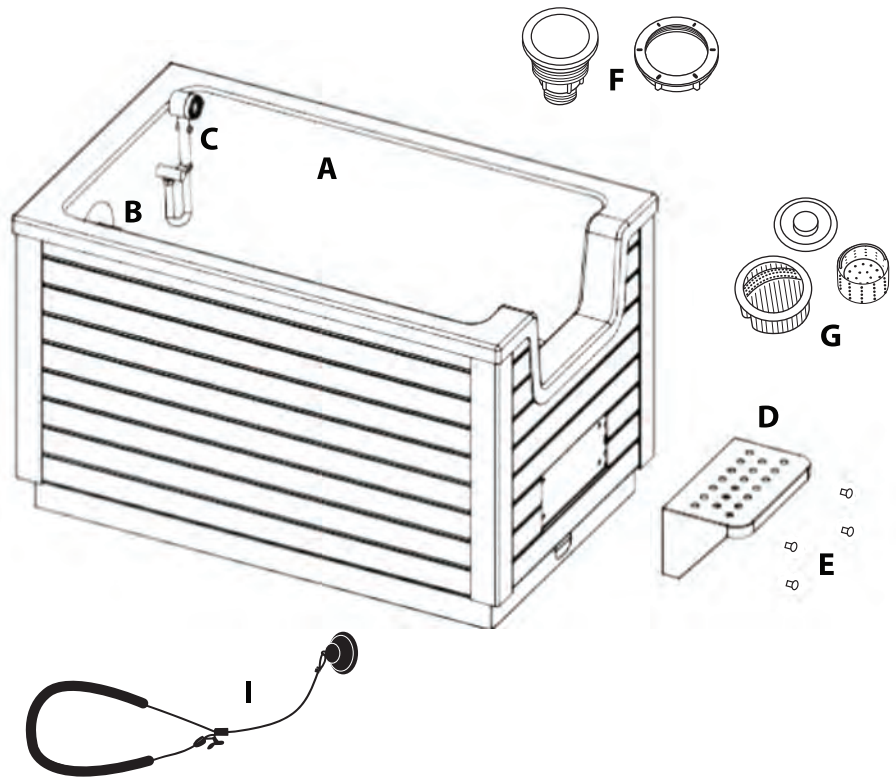


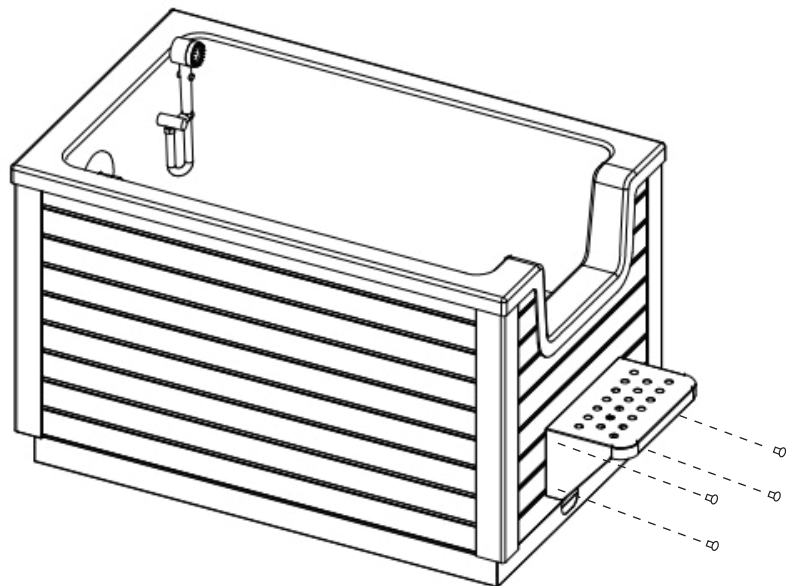
Parts List:

- (A) Tub Basin (1)
- (B) Faucet/Temperature Control
- (C) Sprayer (1)
- (D) Entry Step (1)
- (E) Bolts (4)
- (F) Drain (1) and Gasket (1)
- (G) Strainers (2) and Cover (1)
- (H) Anti-slip Mat (1)
- (I) Suction Cup Bathing Restraint (1)



Assembly Instructions

1. Unpack and place the Tub Basin(A) on the floor properly.
2. Fix the Entry Step(B) in the preserved position on the Tub Basin(A) with the Bolts and Nuts(C). Make sure the Entry Step(B) is mounted securely.



OPERATION INSTRUCTIONS

1. To bathe dogs or cats, let the animal step onto the Entry Step(B) to enter into the Tub Basin(A).
2. Bathe the animal.
3. After the bathing take the animal out.
4. Clean and dry the Tub Basin(A) with a cloth.
5. Take out and clean the mat on at the bottom of the tub with water regularly.

WARNING

1. Use only as described in this manual. Use only manufacturer's recommended attachments.
2. DO NOT use outdoors or on wet surfaces. DO NOT place the product on an uneven or soft ground.
3. This product is not intended for use by persons (including children) with reduced physical, sensory or mental capabilities, or lack of experience and knowledge, unless they have been given supervision or instruction concerning use of the product by a person responsible for their safety. Children should be supervised to ensure that they do not play with the product.
4. DO NOT modify, disassemble or repair.
5. Avoid using the product in dusty, vibrating and wet environment and in chemical storage place.

CARE INSTRUCTIONS

In between usages, the tub should be cleaned with a soft cloth or sponge using a neutral cleaning agent. Pet scratching may leave marks on tub surface but will not affect tub usage.

LIMITED WARRANTY

This Master Equipment® PureElite Acrylic Tub is warranted against defective material or workmanship for one year from the date of purchase. Any Master Equipment® product that is determined to be defective in material or workmanship during the warranty period will be replaced without cost to the purchaser for parts or labor. Please contact Boss Pet Products Customer Service at 1-800-638-5754 regarding any defective product. Boss Pet Products will not be liable under this warranty for any defect, failure or malfunction of this product caused by normal wear, abuse, misuse, unauthorized adjustments or repairs. Boss Pet Products will not be liable for any incidental or consequential damages of any type. Any implied warranty is limited to the one-year period provided in this express warranty. Some states do not allow limitations on how long an implied warranty lasts or exclusion or limitation of incidental or consequential damages, so the above limitations or exclusions may not apply to you. Warranty is void if product has been modified in any manner, repaired by anyone other than Boss Pet Products or has been subject to unreasonable use. Warranty is valid in the United States.

Date Purchase: _____



Manufactured for

© Boss Pet Products, Inc., Danvers, MA 01923
MADE IN CHINA

TP0141 95

Master Equipment® PureElite Acrylic Tub

REV. 1/24