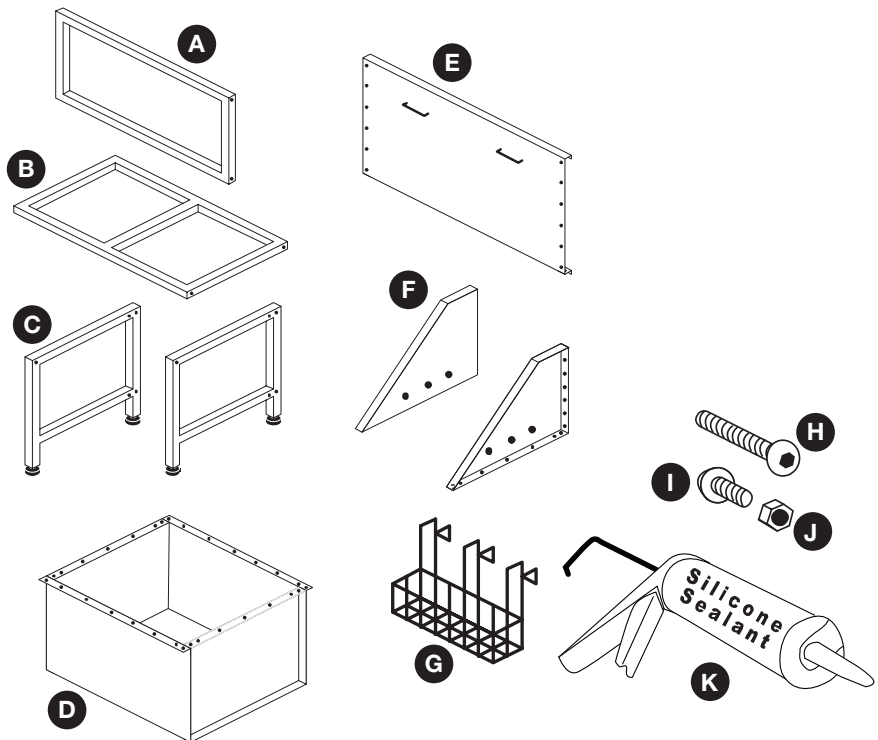


Parts List:

- (A) Rear Stand (1)
- (B) Top Stand (1)
- (C) Stand Sides (2)
- (D) Tub Basin (1)
- (E) Tub Backsplash (1)
- (F) Tub Side Splashes (2)
- (G) Shampoo Rack (1)
- (H) Hex Bolts (8)
- (I) Standard Bolts (34)
- (J) Nuts (34)
- (K) Silicone Glue Sealant and Gun (1)

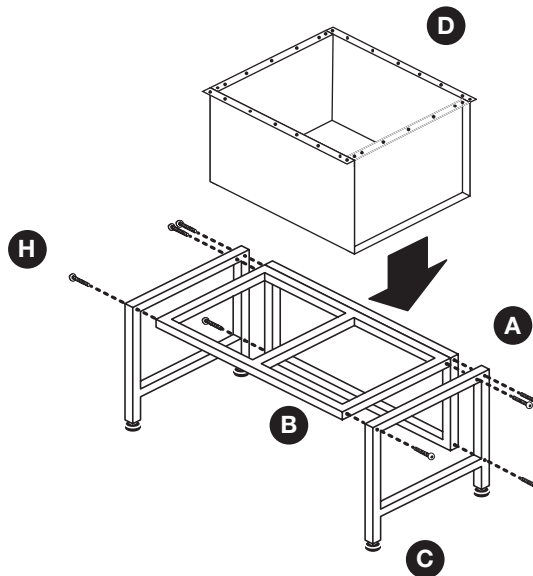
Tools Needed:

- Hex Wrench
- Phillips Head Screwdriver
- Pliers



Assembly: (steps 1-3)

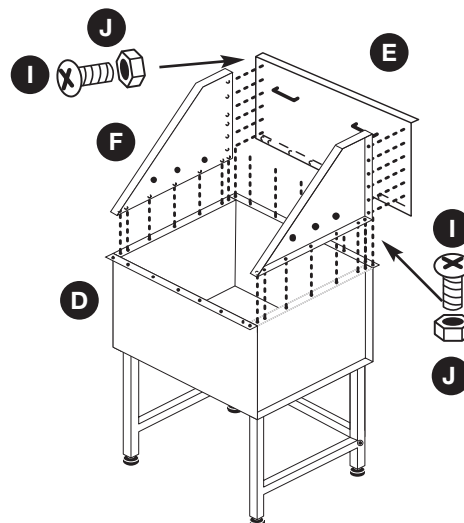
1. Bolt one side stand (C) to rear stand (A) with two hex bolts (H); repeat for other side of stand.
2. Bolt the top of the stand (B) to assembled sides with two hex bolts (H); repeat for the other side.
3. Lower the tub basin (D) onto the assembled stand.



Front Side

Assembly Continued: (steps 4-9)

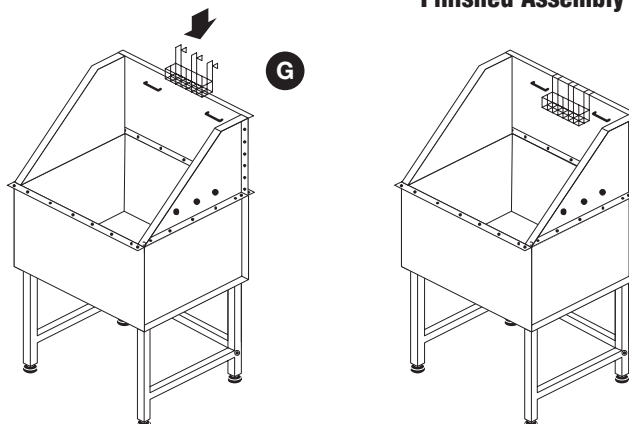
4. Choose what side of the basin you want the backsplash (E) to be on.
5. Lay a thin line of silicone sealant (K) along the bottom edge of one side splash (F) and side of tub basin (D). Bolt the bottom of one side splash (F) to the tub basin (D). Use a standard bolt (I) and nut (J) in every pre-drilled hole.
6. Lay a thin line of silicone sealant (K) along the front sides and the bottom edge of the back-splash (E). Bolt the backsplash (E) to the attached side splash (F) and to the tub basin (D). Use a standard bolt (I) and nut (J) in every pre-drilled hole.
7. Lay a thin line of silicone sealant (K) along the bottom edge of the other side splash (F) and side of tub basin (D). Bolt the side splash (F) to the tub basin (D) with remaining standard bolts (I) and nuts (J), using one in every hole.
8. The tub basin comes pre-sealed with silicone. For extra leak protection, add another layer of silicone along the seams of the basin prior to use.
9. Remove excess silicone from all seams, making sure the silicone has completely filled the gaps.



Front Side

Assembly Continued: (steps 10-13)

10. Hang the shampoo rack (G) onto the back of the backsplash using hooks on back of rack.
11. Adjust leveling feet on the stand to have the drain approximately 1/8" lower than the opposite side of the tub. This allows water to drain better.
12. Install plumbing as needed. Faucet holes are 4" and 8" on center, and the tub takes a 3 1/4" standard sink strainer.



Finished Assembly

CARE INSTRUCTIONS

Rinse thoroughly after bathing pet. Make sure tub is clean and dry after use. Clean with mild soap or a stainless-steel approved cleaner only. Do not use harsh or abrasive cleaners, bleach, or tools with metal or textured parts. These can scratch or damage the tub.

LIMITED WARRANTY

This Master Equipment™ Everyday Pro Mini Tub is warranted against defective material or workmanship for one year from the date of purchase. Any Master Equipment™ product that is determined to be defective in material or workmanship during the warranty period will be replaced without cost to the purchaser for parts or labor. Please contact PetEdge Customer Service at 1-800-638-5754 regarding any defective product. PetEdge will not be liable under this warranty for any defect, failure or malfunction of this product caused by normal wear, abuse, misuse, unauthorized adjustments or repairs. PetEdge will not be liable for any incidental or consequential damages of any type. Any implied warranty is limited to the one-year period provided in this express warranty. Some states do not allow limitations on how long an implied warranty lasts or exclusion or limitation of incidental or consequential damages, so the above limitations or exclusions may not apply to you. Warranty is void if product has been modified in any manner, repaired by anyone other than PetEdge or has been subject to unreasonable use. Warranty is valid in the United States.

Date Purchase: _____

TP3640 Master Equipment Everyday Pro Tub

Manufactured for / Fabricado para / Fabriqué pour
©Tops Pet Products, Beverly, MA 01915
Made in / Hecho en / Fabriqué à Taiwan