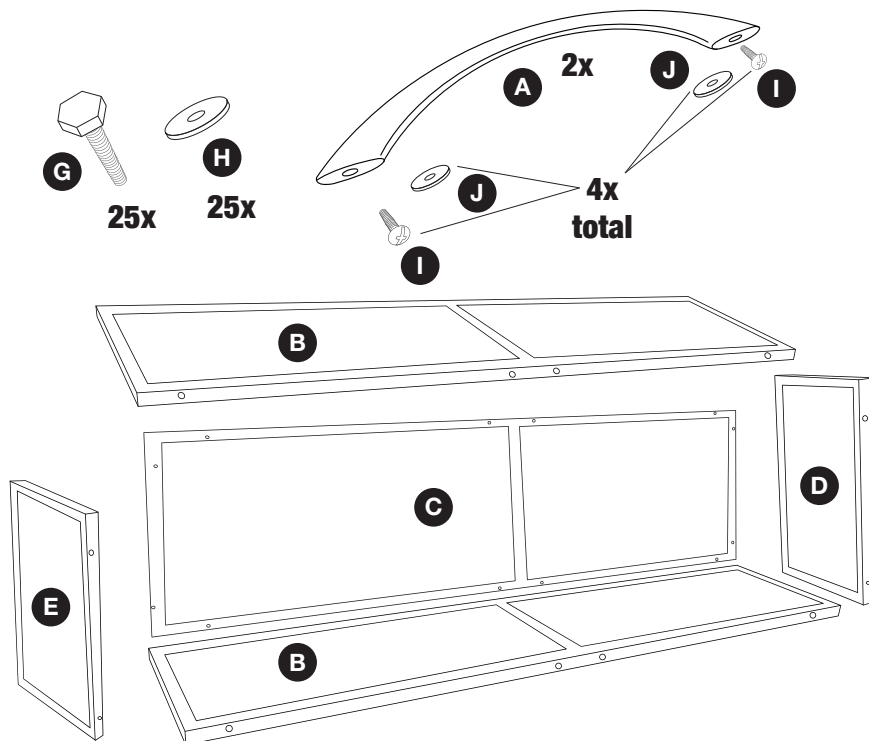




# TP55202 Master Equipment Deluxe Stainless Steel Overhead Tub Cabinet Assembly Instructions

## Parts List:

- (A) Door Handles (2)
- (B) Bottom and Top Panels (2) - predrilled holes are on sides
- (C) Back Panel (1) - predrilled holes are on back
- (D) Right Side Panel (1)
- (E) Left Side Panel (1)
- (F) Front Panel w/Doors (1)
- (G) Bolts (25)
- (H) Washers (25)
- (I) Screws (4) - for Door Handles
- (J) Washers (4) - for Door Handles

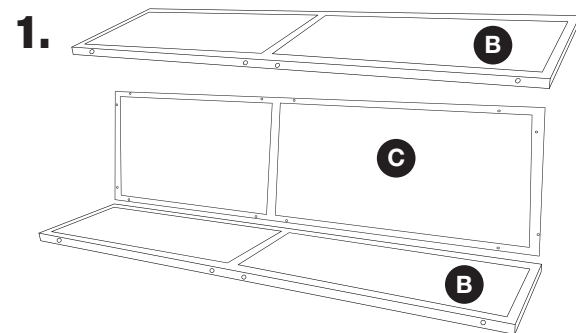


- Tools Needed:**  
 Wrench  
 Phillips Head Screwdriver  
 (Not Included)

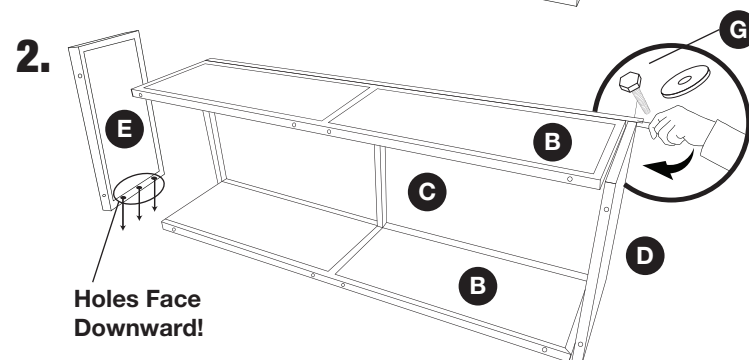
## Assembly: (steps 1-2)

**General instructions: Always align Cabinet pieces over pre-drilled holes, and finger-tighten the Bolts (G) with corresponding Washers (H). Once all are in place, go back and tighten securely using a wrench.**

1. Brace Back Panel (C) and attach Bottom and Top Panels (B)

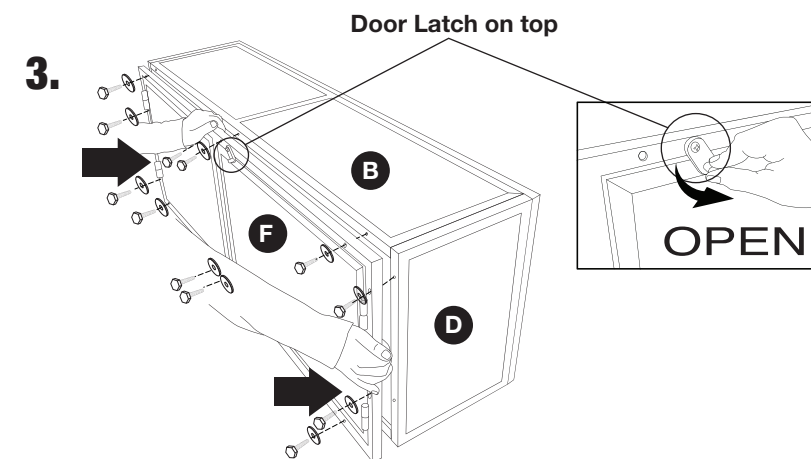


2. Attach Right Side Panel (D), making sure that predrilled holes are facing downward. Repeat for Left Side Panel (E).

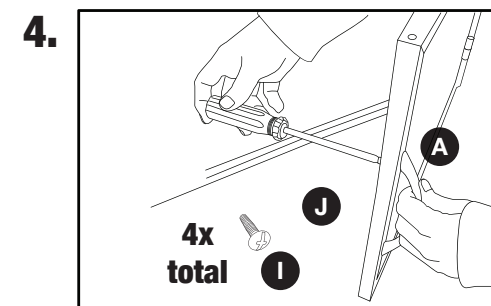


## Assembly Continued: (steps 3-5)

3. Attach Front Panel w/Doors (F) to cabinet assembly, making sure door latches are on top.



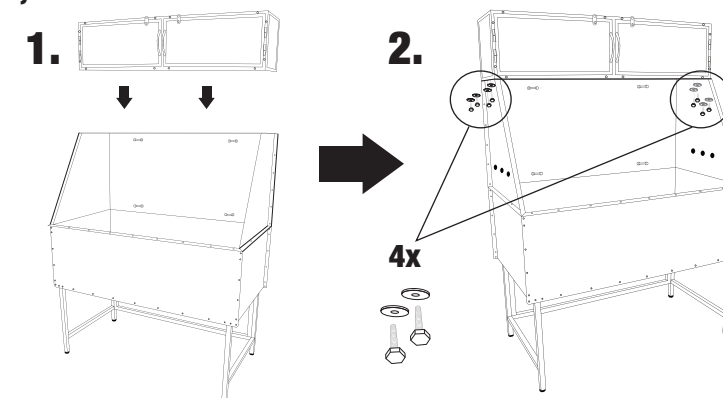
4. Attach Door Handles (A) using provided Screws (I) and Washers (J); tighten from inside with a Phillips Head Screwdriver.



## 5. Tighten all bolts throughout.

## To attach assembled Tub Cabinet to assembled Everyday Pro Deluxe Stainless Steel Tub, TP359:

1. Carefully position Tub Cabinet atop Tub, lining up edges and corners over pre-drilled holes.
2. Finger-tighten 4 Bolts (G) with 4 Washers (H) on right side, then on left side.



3. To finish, tighten all bolts securely and evenly with a wrench

## LIMITED WARRANTY

This Master Equipment™ Deluxe Stainless Steel Overhead Tub Cabinet is warranted against defective material or workmanship for one year from the date of purchase. Any Master Equipment™ product that is determined to be defective in material or workmanship during the warranty period will be repaired or replaced without cost to the purchaser for parts or labor. Please contact PetEdge Customer Service at 1-800-638-5754 regarding any defective product. PetEdge will not be liable under this warranty for any defect, failure or malfunction of this product caused by normal wear, abuse, misuse, unauthorized adjustments or repairs. PetEdge will not be liable for any incidental or consequential damages of any type. Any implied warranty is limited to the one-year period provided in this express warranty. Some states do not allow limitations on how long an implied warranty lasts or exclusion or limitation of incidental or consequential damages, so the above limitations or exclusions may not apply to you. Warranty is void if product has been modified in any manner, repaired by anyone other than PetEdge or has been subject to unreasonable use. Warranty is valid in the United States.

Date Purchase: \_\_\_\_\_

TP55202 Master Equipment Deluxe Stainless Steel Overhead Tub Cabinet

Manufactured for / Fabricado para / Fabriqué pour  
 ©Tops Pet Products, Beverly, MA 01915  
 Made in / Hecho en / Fabriqué à Taiwan