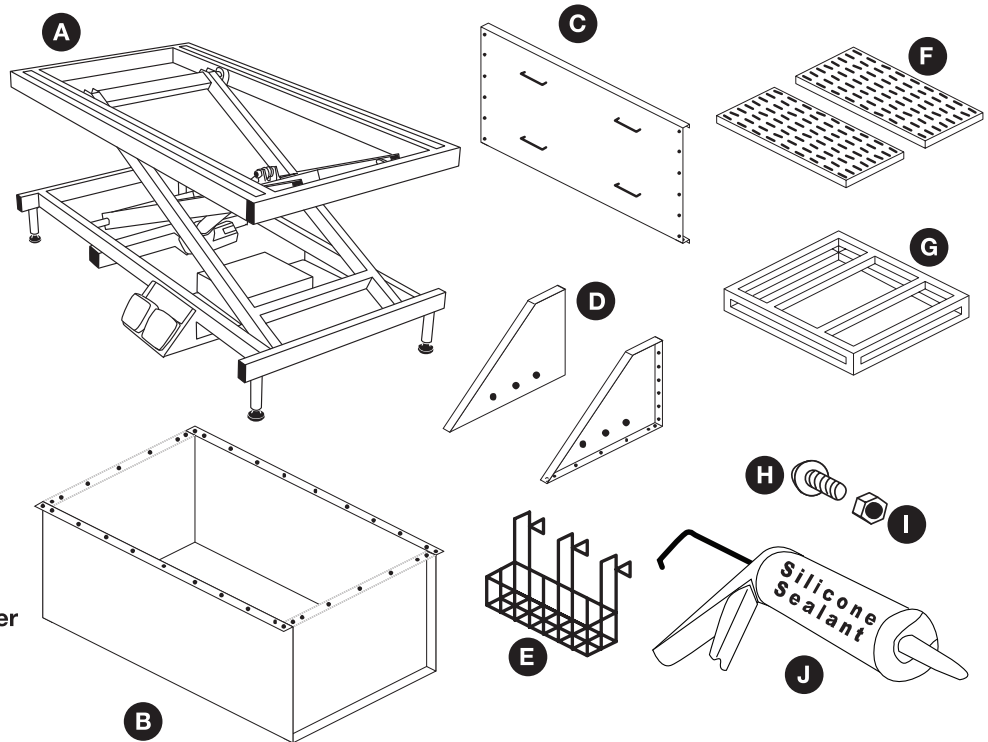


## Parts List:

- (A) Electric Base (1)
- (B) Tub Basin (1)
- (C) Tub Backsplash (1)
- (D) Tub Side Splashes (2)
- (E) Shampoo Rack (1)
- (F) Tub Rack Tiles (2)
- (G) Tub Rack Stand (1)
- (H) Standard Bolts (35)
- (I) Nuts (35)
- (J) Silicone Glue Sealant and Gun (1)

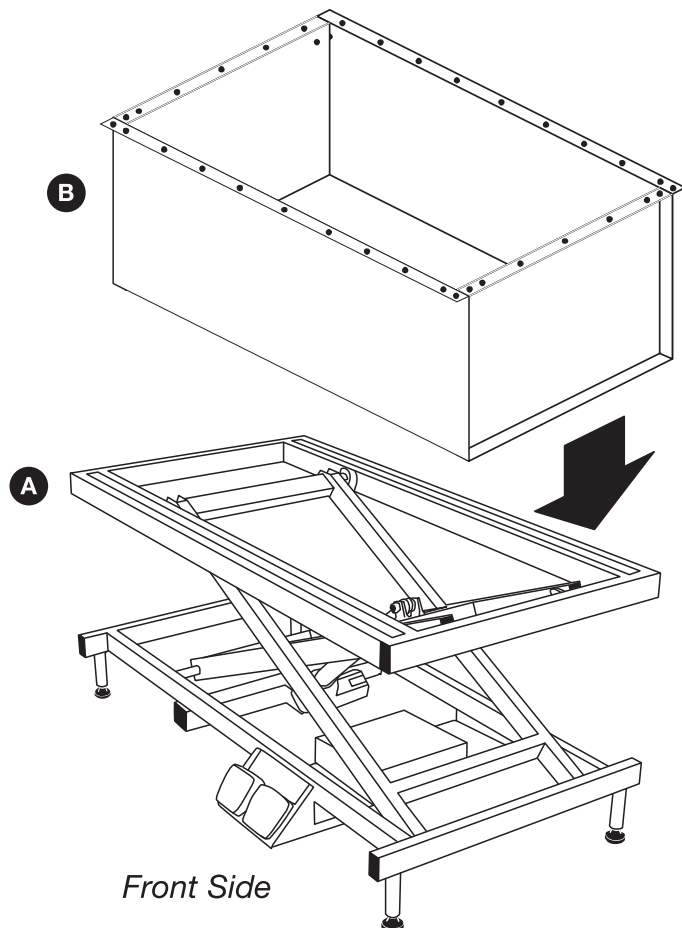
## Tools Needed:

- Hex Wrench
- Phillips Head Screwdriver
- Pliers



## Assembly:

1. Lower the tub basin (B) onto the electric base.



*Note: The tub can be positioned so the drain hole is on the left or right.*

