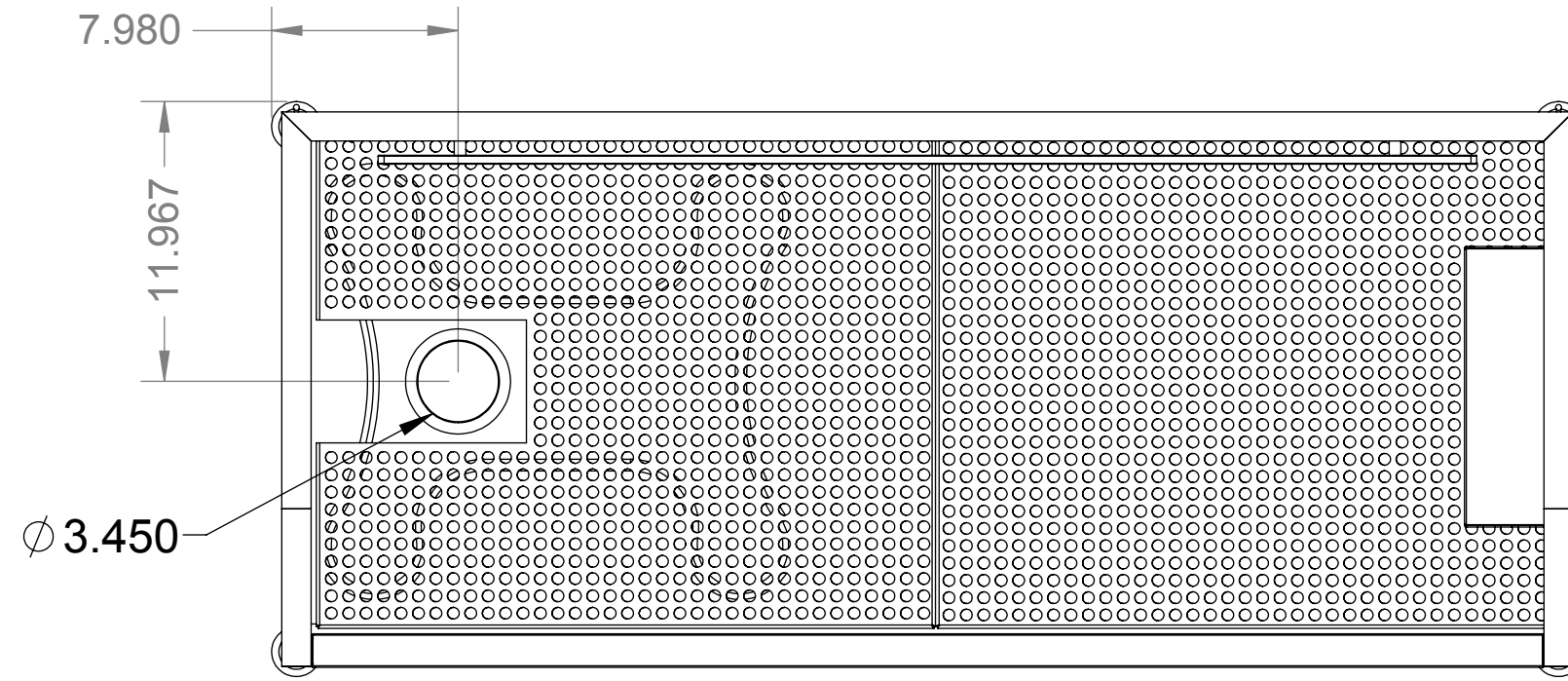
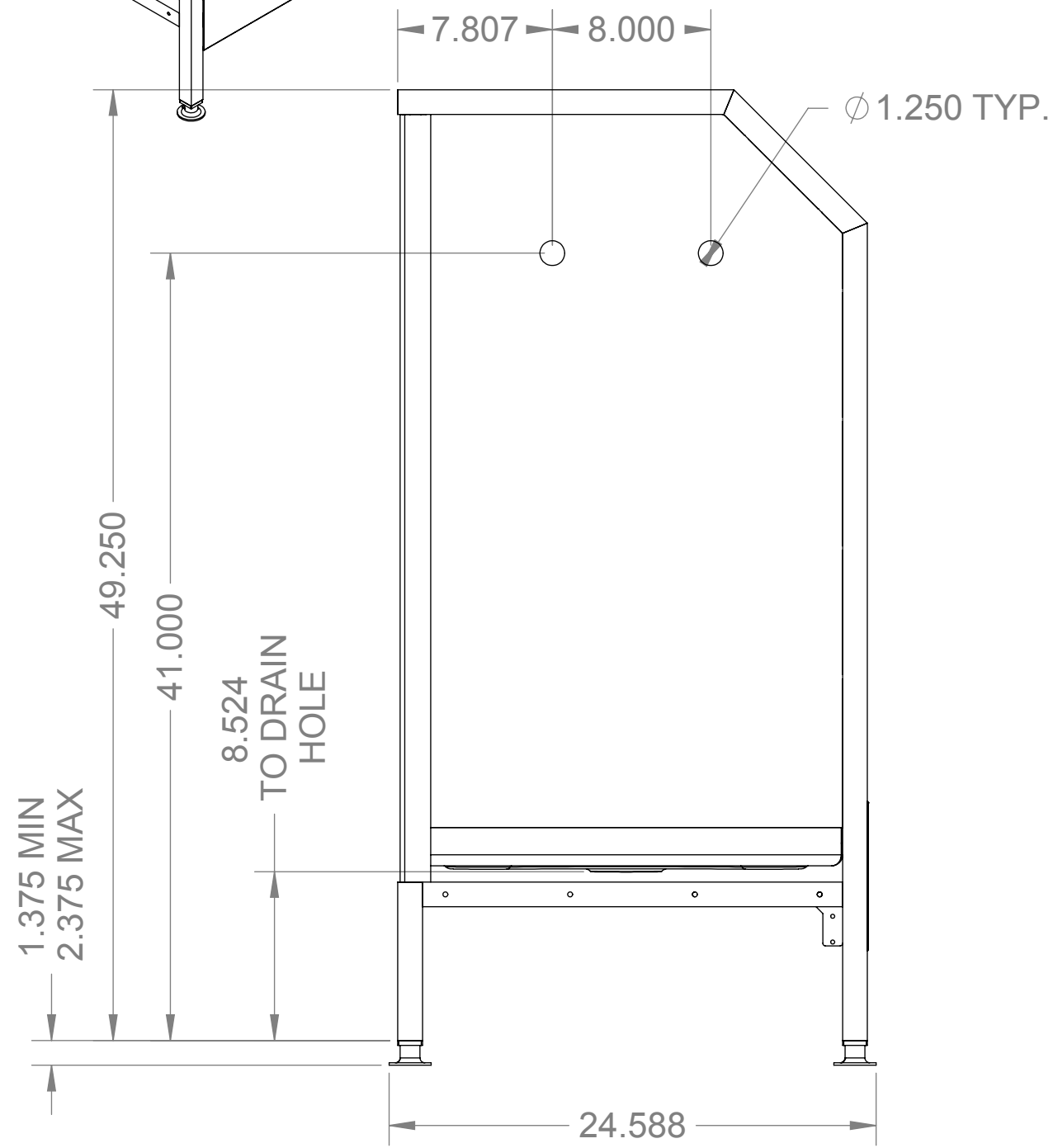


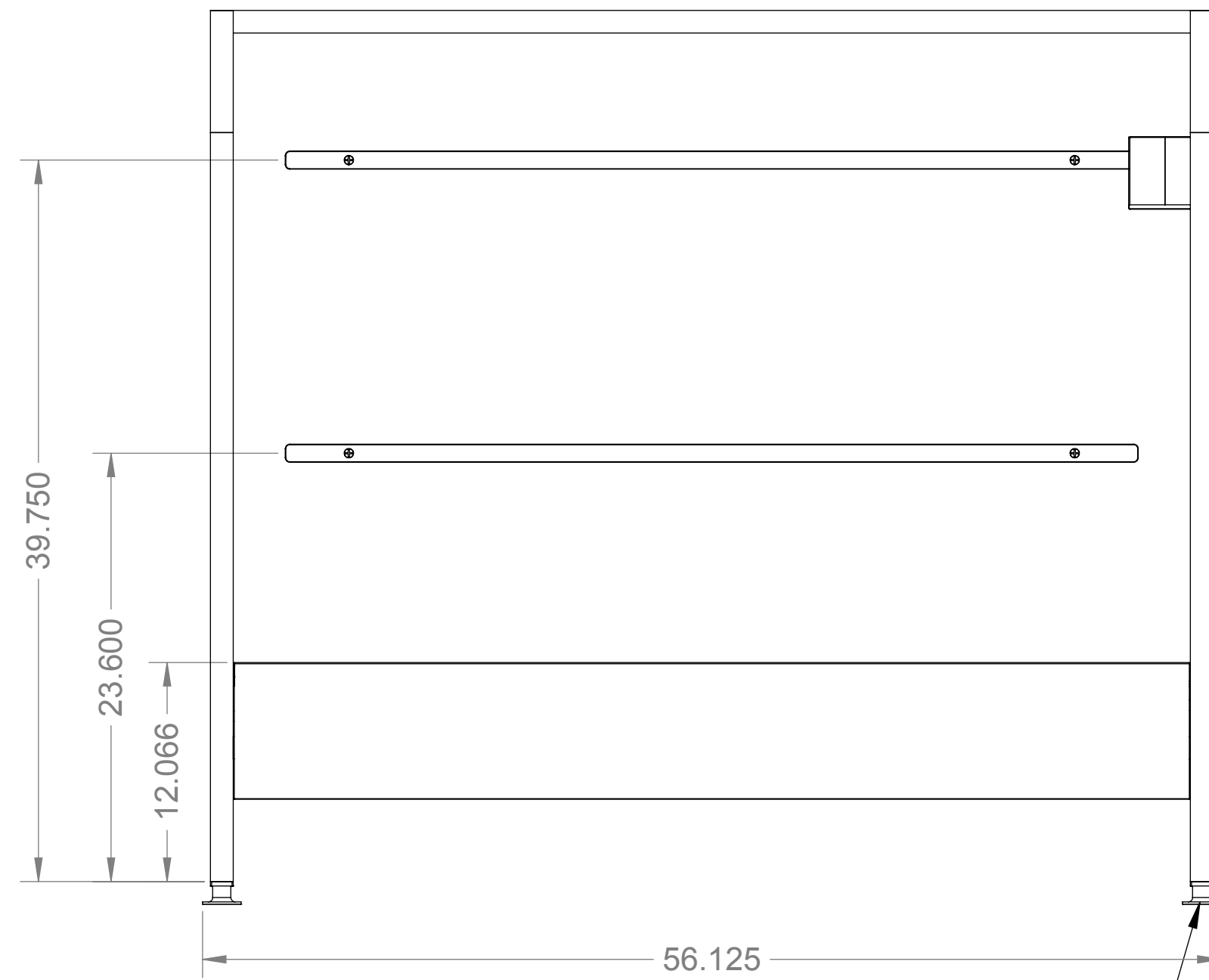
NOTE: FAUCET AND DRAIN MUST BE ORDERED SEPARATELY.



TOP VIEW



FAUCET SIDE VIEW



FRONT VIEW

LEVELING FEET PROVIDE 1" ADJUSTMENT UP AND HAVE HOLE FOR 1/4" ANCHOR BOLT.

GROOMING SHOWER, STEP IN, LH DRAIN

904.0702.33

THE FOLLOWING DOCUMENT CONTAINS INFORMATION PROPRIETARY TO SCHROER MANUFACTURING COMPANY. ANY REPRODUCTION, DISCLOSURE, OR USE OF THE DOCUMENT IS EXPRESSLY PROHIBITED WITHOUT WRITTEN CONSENT OF SCHROER MANUFACTURING. SCHROER MANUFACTURING MAKES NO WARRANTIES, EITHER EXPRESSED OR IMPLIED WITH REGARD TO CUSTOMER REQUESTED MODIFICATIONS AND TO THE EXTENT SUCH MODIFICATIONS ADVERSELY AFFECT THE PRODUCTS, SUCH MODIFICATIONS VOID ANY WARRANTIES OF THE PRODUCTS. CUSTOMER FURTHER RELEASES AND AGREES TO INDEMNIFY, DEFEND AND HOLD HARMLESS SCHROER MANUFACTURING FOR, FROM AND AGAINST ANY AND ALL CLAIMS, DAMAGES, LOSSES, LIABILITIES, COSTS OR EXPENSES (INCLUDING ATTORNEYS' AND EXPERTS FEES) ARISING OUT OF OR RELATED TO SUCH MODIFICATIONS TO THE PRODUCTS.

INITIAL
SHOR-LINE